

# XR19F-C1-400 Technical Specifications

## Contents

1 . Specifications .....	1
2 . Configuration .....	1
3 . Attachments .....	2
4 . First Test Condition (°C) .....	2
5 . Internal Protection Parts .....	2
6. Performance Data .....	3
7. Application Envelope .....	4
8. Drawing .....	4

## 1 . Specifications

Model	XR19F-C1-400	Power	1.2HP
Displacement(m <sup>3</sup> /h)	4.5	Refrigerant	R290
Cooling Cap.(W) <sup>(a)</sup>	2324	Input Power(W) <sup>(a)</sup>	1401
Rated Load Amps(A) <sup>(a)</sup>	7.3	COP <sup>(a)</sup>	1.66
Max. Vibration(mm) <sup>(a)</sup>	<0.10	Sound Level (dBA) <sup>(a)</sup>	75
Test Power Source <sup>(a)</sup>	60Hz-220V	Rated Speed (RPM) <sup>(a)</sup>	3500
Max. Moisture (mg)	< 500	Max. Impurity (mg)	< 100
Oil Circulation (%) <sup>(a)</sup>	<1%	Weight (kg, With Oil)	27.0
Electrical Specification	Power Source	208V-230V 1~60Hz	
	Run Capacitor	50μF/450V	
	Min. Operation Voltage(V) <sup>(b)</sup>	187	
	Max. Operation Voltage(V)	253	
	Min. Starting Voltage(V) <sup>(c)</sup>	177	
	Lock Rotor Amps(A)	102.00	
	Max. Operation Current <sup>(d)</sup>	13.9 (A)	
	Motor Insulation Temp.(°C)	130	
Terminal Resistance (Ω) ( ± 10%) At 25 °C	T1(C)-T2(S)	1.41	
	T2(S)-T3(R)	2.06	
	T3(R)-T1(C)	0.65	
Lubrication	Oil Type	RFL68-EPH	
	Initial Charge(L)	1.4	
	Recharge(L)	1.25	
Electrical Safety	Insulation Voltage(V)	2500	
	Leakage Current(mA)	≤5	
	Insulation Resistance(MΩ)	>20	
	Ground Resistance(Ω)	<0.1	
Max. Operation Pressure	High Side(MPa)	3.0	
	Low Side(MPa)	2.0	

Notes:

- a) Test Condition: Based On Test Power Voltage, First Rated Condition;
- b) Test Condition: ET 10°C, CT 65°C, SH 11.1K
- c) Test Condition: Discharge/Suction Pressure Set To Refrigeration Saturation Pressure At 40°C.
- d) Test Condition: ET 10°C, CT 65°C, SH11.1K, 90% Min. Rated Voltage;

## 2 . Configuration

Suction/Discharge	Injection	Sight Glass	Thermal Tube
-------------------	-----------	-------------	--------------

	NONE		
--	------	--	--

### 3 . Certifications

Certifications	Report N.O.
CB	/
CE	/
CCC	/
PED	/
UL	/

### 4 . First Test Condition (°C)

Cooling Cap. and COP No Less Than **95%** of Nominal Value, Power and Current No More Than 105% of Nominal Value (Performance And Sound Power Need 24hrs Break In At High Load Running Condition).

Item	Parameter	Value
1	Evaporating Temp.	-6.7
2	Condensing Temp.	48.9
3	Ambient Temp.	35.0
4	Super Heat	25
5	Sub Cooling	0

### 5 . Compressor Protection Parts

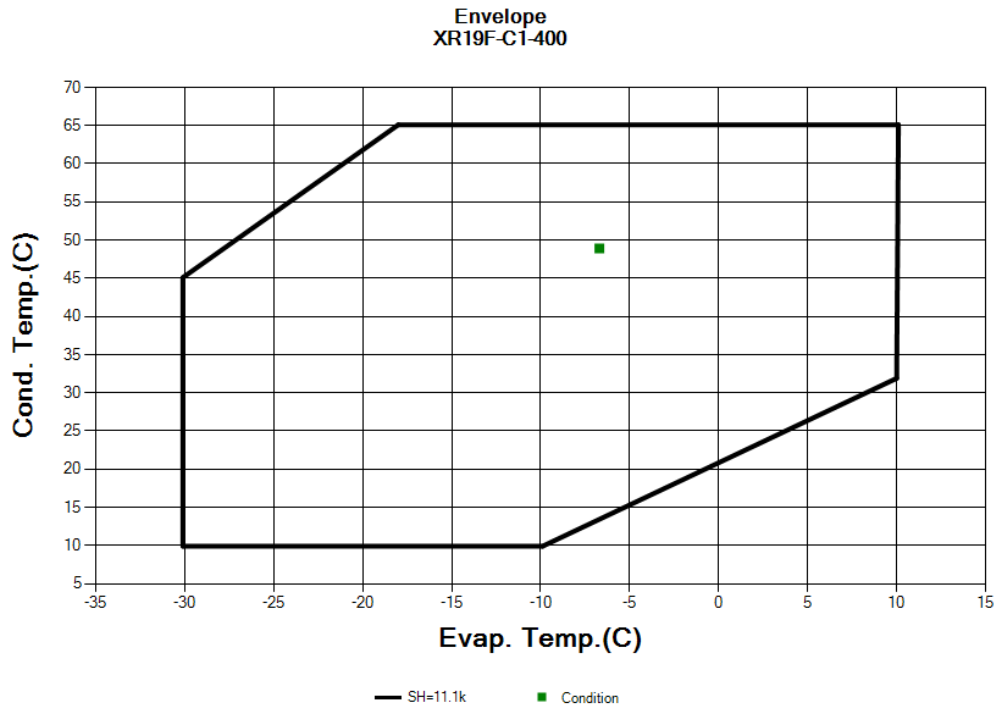
- a) Thermal Protection Inside;;
- b) Internal Pressure Release Valve, Open Range (Pressure Difference Between Discharge And Suction) : 2.76~3.10Mpa

**6. Performance Data- XR19F-C1-400**

kW	Temp. Cond.( °C)	Temp. Evap. (°C)								
		-30	-25	-20	-15	-10	-5	0	5	10
Cooling Cap.	65				1.28	1.54	1.85	2.21	2.63	3.13
	60			1.15	1.40	1.69	2.02	2.42	2.88	3.42
	55			1.25	1.52	1.83	2.19	2.62	3.12	3.71
	50		1.10	1.34	1.63	1.97	2.37	2.83	3.37	3.99
	45	0.95	1.17	1.44	1.75	2.11	2.54	3.04	3.61	4.28
	40	1.01	1.25	1.53	1.87	2.26	2.71	3.24	3.86	4.57
	35	1.07	1.33	1.63	1.99	2.41	2.89	3.45	4.11	4.86
	30	1.13	1.41	1.73	2.11	2.56	3.07	3.67	4.36	
	25	1.20	1.49	1.84	2.24	2.72	3.26	3.89		
	20	1.27	1.58	1.95	2.38	2.88	3.46			
	15	1.35	1.68	2.07	2.52	3.05				
	10	1.42	1.78	2.19	2.67	3.23				
Input Power	65				1.59	1.67	1.73	1.79	1.84	1.88
	60			1.46	1.53	1.59	1.64	1.69	1.73	1.77
	55			1.39	1.45	1.50	1.55	1.59	1.62	1.65
	50		1.25	1.30	1.35	1.40	1.44	1.48	1.51	1.54
	45	1.11	1.16	1.20	1.25	1.29	1.32	1.36	1.39	1.42
	40	1.01	1.05	1.09	1.13	1.17	1.20	1.24	1.27	1.30
	35	0.89	0.93	0.96	1.00	1.03	1.07	1.11	1.14	1.18
	30	0.75	0.78	0.82	0.86	0.90	0.94	0.98	1.02	
	25	0.60	0.63	0.67	0.71	0.75	0.79	0.84		
	20	0.42	0.46	0.50	0.55	0.59	0.65			
	15	0.24	0.28	0.32	0.38	0.43				
	10	0.04	0.08	0.14	0.20	0.27				

Notes: Capacity Calculation Based On SH=11.1K And Zero Sub Cooling

### 7. Application Envelope

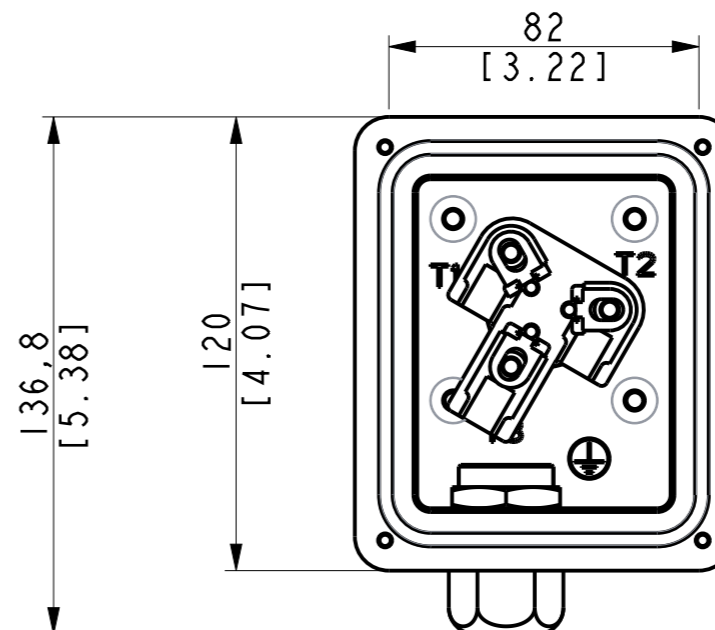
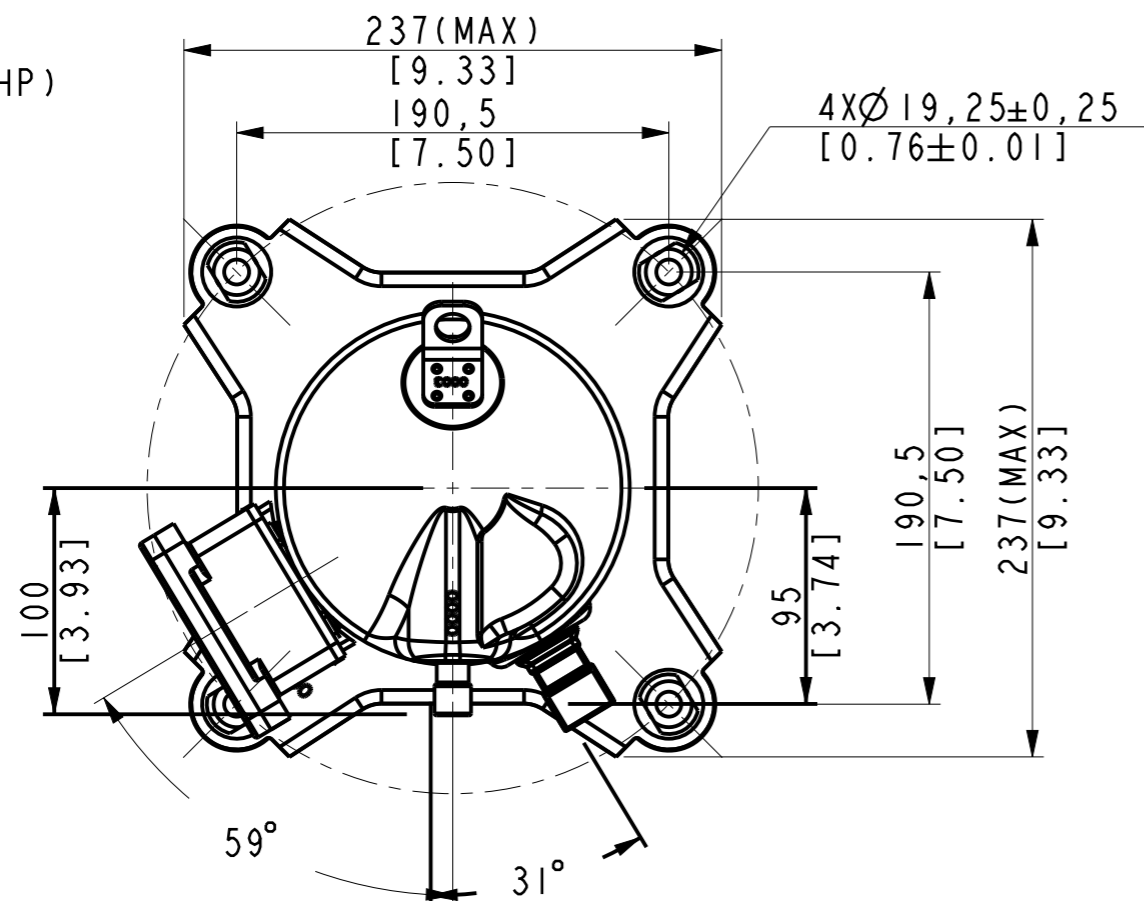


For Compressor Safty, Shutdown Compressor When DLT Above 125°C; When Compressor Running, Control DLT<= 110°C ;ReStart Compressor When DLT Below 85°C

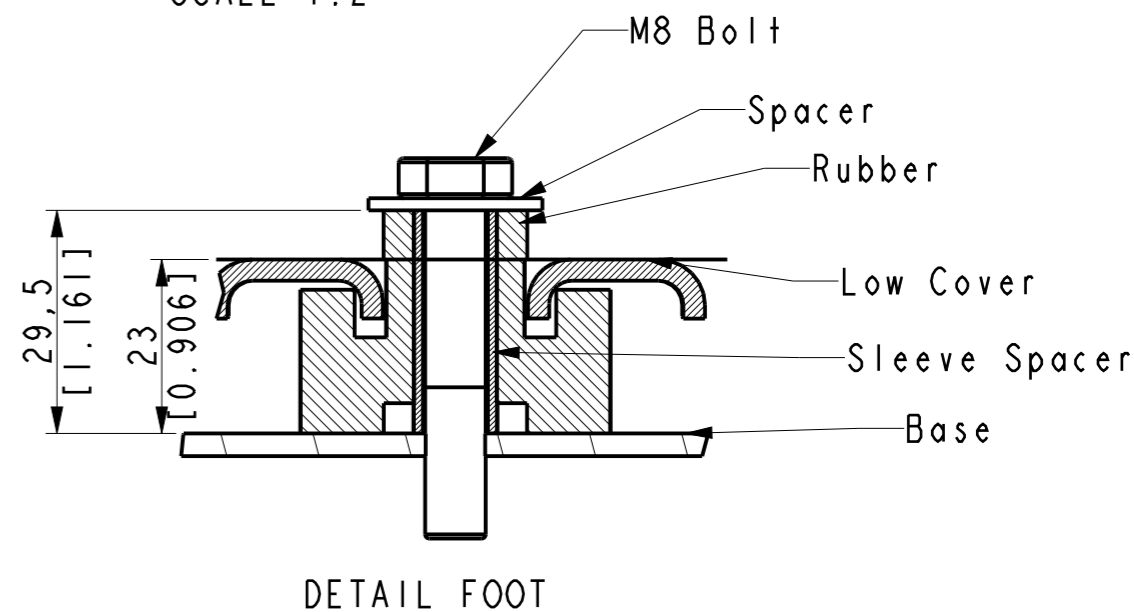
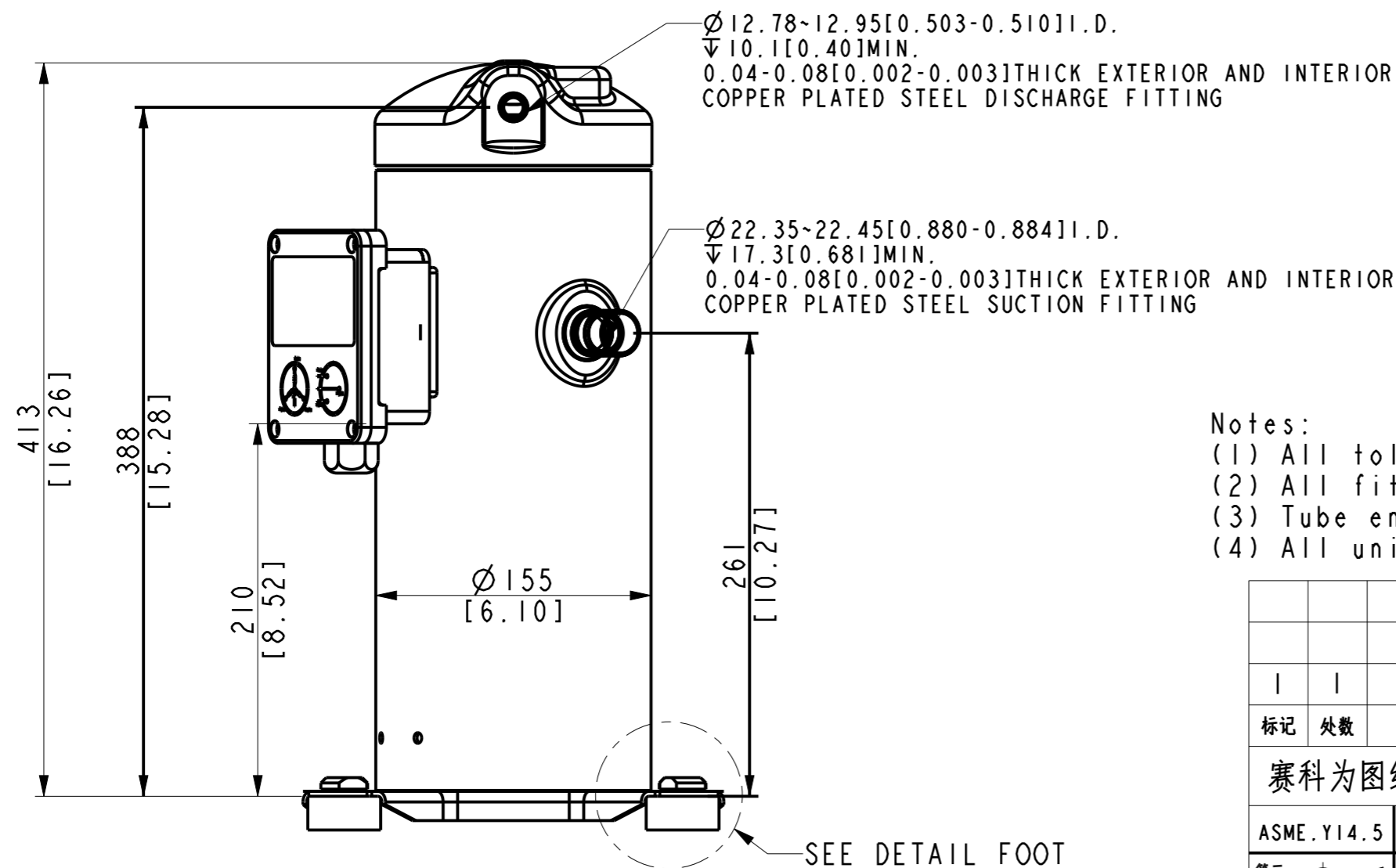
### 8. Drawing



150 (1.2~5HP)



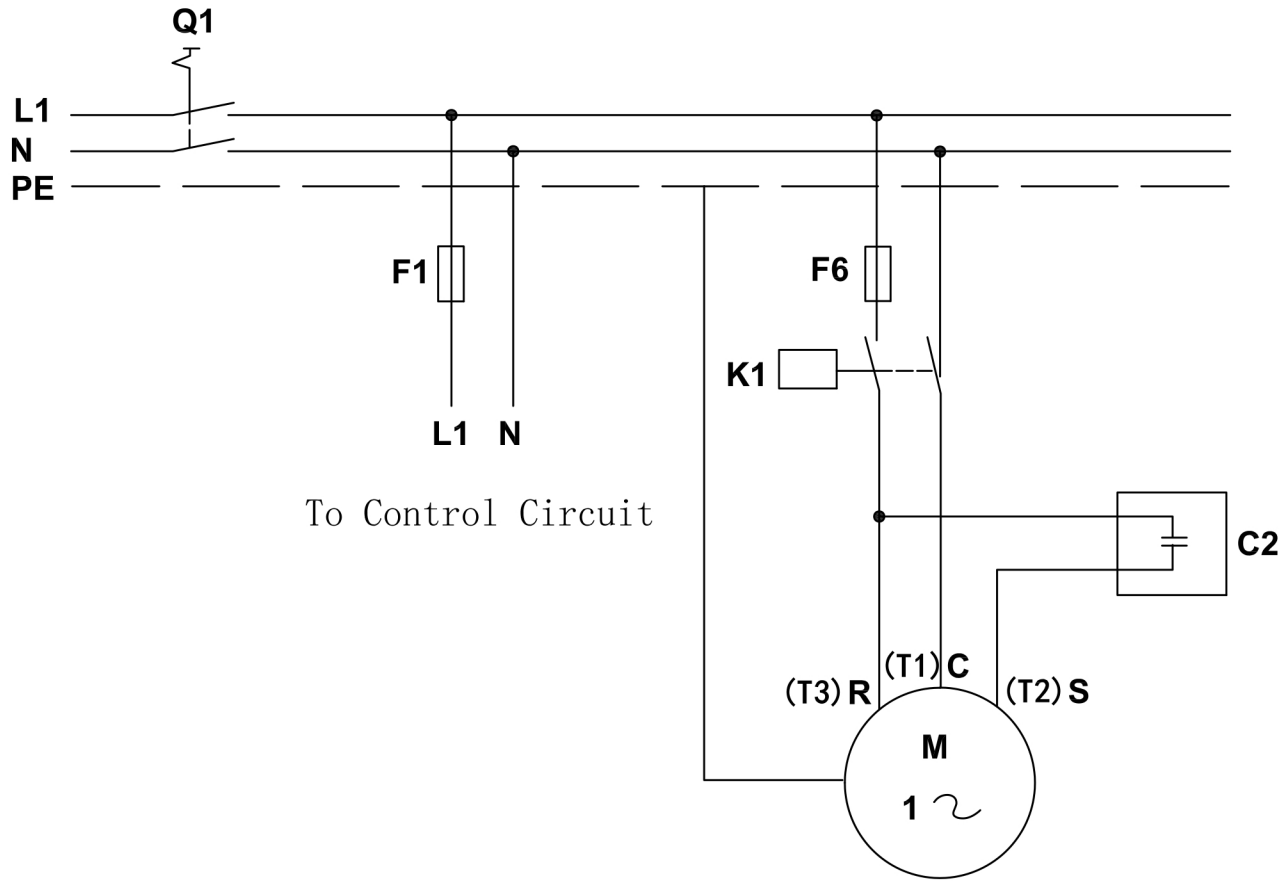
比例 0,500  
TERMINAL BOX LAYOUT  
SCALE 1:2



DETAIL FOOT

- Notes:
- (1) All tolerances 1.5mm [0.06in] unless otherwise specified
  - (2) All fittings: + 3.0mm 0.12in
  - (3) Tube ends must be plugged
  - (4) All units are in mm[inch]

					常州赛科为能源科技有限公司 Xecom Energy Technologies Ltd.		
		ECN0038	24/12/17				
标记	处数	视图	ECN代码	签字	日期		
赛科为图纸通用标准			绘图	版本标记	重量	比例	① 150外型图 (XA, XW, XH)
ASME.Y14.5		20°C测量	校对			0,125	801-0000-00EN
第三视角	默认公差	X ±0.4 X.X ±0.15 X.XX ±0.15 mm: ±0.5	批准	共   张 第   张			



Electrical Schematics

L1/N/PE: Single Phase Lines (line/neutral/ground)

Q1: Manual Switch

F1/F6: Fuse

K1: Compressor Contactor

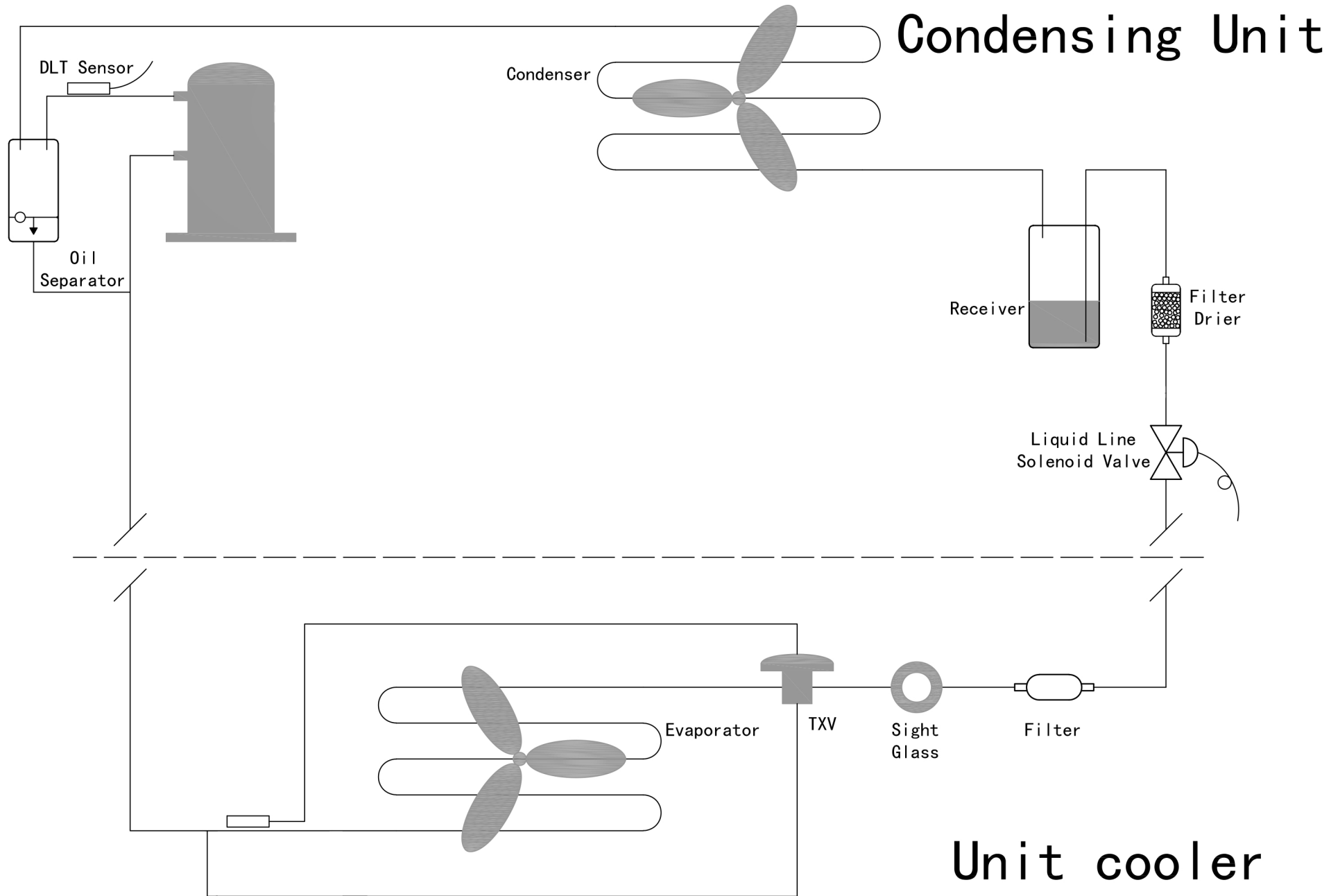
C2: Run Capacitor

M: Compressor Motor





R/C/S: Compressor Terminal






# General System Schematic



附件列表  
Accessories List

Part N.O.	Specification	Qty	Part Name	Picture	Type	Description
020-0001-00		Terminal Seal		1	Standard	 A black square terminal seal with a central white circle. The corners are labeled T1(C), T2(S), T3(R), and T4(L). There is a small white symbol in the bottom-left corner.
019-0002-00	11.1*29.5	Sleeve Spacer		4	Standard	 Two cylindrical metal sleeve spacers of different lengths, one shorter and one longer.
200-0001-00		Rubber		4	Standard	 Two black rubber gaskets or seals, one larger than the other, with a central hole.
100-0011-00	M5*10	Waterproof bolts		4	Standard	 Two stainless steel waterproof bolts, one with a hex head and one with a round head.

附件列表  
**Accessories List**


100-0012-00	M4*12	Round head Phillips bolts		4	Standard	
017-0007-04		Terminal Cover		1	Standard	
016-0001-00		T-Box		1	Standard	
034-0000-03		Sound Jacket		1	Optional	

附件列表  
**Accessories List**

028- 0000-00	155 外径, 70W, 220V, 长度 486, 7	Crank Heater		1	Optional	
031- 0019-00	1"-14UN 2A 螺纹口	RotoLock Connector		1	Optional	
031- 0017-00	螺纹 1-1/4"-12UNF-A	RotoLock Connector		1	Optional	
009- 0040-00	内径 109*2.65	Terminal Seal		1	Standard	
029- 0001-00		Explosion- proof gland		1	Standard	

附件列表

**Accessories List**

009- 0038-00	外径 37*4	Terminal Seal		1	Standard	
-----------------	---------	------------------	--	---	----------	---