

# Technical Data Sheet

Compressor model **GPY14NDb**  
 Voltage **115V 60Hz ~1**  
 Refrigerant **R134a**

## APPLICATION

## COMPRESSOR

## MOTOR

Application	Low-Medium Back Pressure	Displacement	14,32 cm <sup>3</sup>	Nominal Power	1/3 hp
Refrigerant	R134a	Diameter	29,37 mm	Voltage/Frequency	115V 60Hz
Evaporating Temp.	-35,0 °C to 0,0 °C	Stroke	21,13 mm	Voltage range	98-127 V
Expansion	Capillar/Valve	Net Weight	12,14 Kg	Type	CSR
Comp. Cooling	Fan cooled	Oil type	ISO VG 32 ESTER	Phase number	1 PH
Max. ambient temp.	43,0 °C	Oil charge	400 cm <sup>3</sup>	Locked Rotor Amps (LRA)	38,90 A
Compatible refriger.	R1234yf			Max. Cont. Current (MCC)	8,00 A
				Main W. resist. at 25°C	1,02 Ω
				Start W. resist. at 25°C	7,89 Ω

## NOMINAL PERFORMANCE

	ASHRAE	CECOMAF
Cooling Capacity	380 kCal/h	324 W
COP	1,26 W/W	0,96 W/W
EER	1,08 kCal/Wh	0,83 kCal/Wh
Input Power	352 W	337 W
Current	4,54 A	4,43 A

## APPROVALS



## TEST CYCLE CONDITIONS

	ASHRAE LMBP (B)	CECOMAF LMBP (A)
Evaporating temp. (T <sub>e</sub> )	-23,3 °C	-25,0 °C
Condensing temp. (T <sub>c</sub> )	55,0 °C	55,0 °C
Liquid temp. (T <sub>liq.</sub> )	32,0 °C	55,0 °C
Ambient temp. (T <sub>amb.</sub> )	32,0 °C	32,0 °C
Suction temp. (T <sub>suction</sub> )	32,0 °C	32,0 °C
Voltage/Frequency	115 V 60 Hz	115 V 60 Hz

## ELECTRICAL COMPONENTS

Starting capacitor	125 µF 160 V			
Run capacitor	10 µF 250 V			
Relay	Option 1	Option 2		
Reference	2014 191. + NTC3î©	QLZ-24.4A + NTC3î©		
Pick-Up	24,40 A	24.4 A		
Drop-Out	20,30 A	20.3 A		
Protector	Option 1			
Reference	T0534			
Current	20,00 A			
Time check	7,5-14 seg			
Disc temp. (Open/Close)	105,00 / 52,00 °C			

## ASHRAE

Tc °C	Te °C	Cooling Capacity kCal/h	Consumption W	Current A	COP W/W	EER kCal/Wh
40	-35	193	257	3,87	0,87	0,75
40	-30	269	285	4,07	1,10	0,94
40	-25	368	318	4,30	1,34	1,16
40	-23,3	407	331	4,39	1,43	1,23
40	-20	491	357	4,58	1,60	1,37
40	-15	637	402	4,89	1,84	1,58
40	-10	806	453	5,25	2,07	1,78
40	-5	999	509	5,64	2,28	1,96
40	0	1.216	571	6,07	2,48	2,13

45	-35	188	259	3,89	0,85	0,73
45	-30	262	289	4,10	1,06	0,91
45	-25	360	325	4,35	1,29	1,11
45	-23,3	398	338	4,44	1,37	1,18
45	-20	480	366	4,64	1,53	1,31
45	-15	625	413	4,97	1,76	1,51
45	-10	793	466	5,34	1,98	1,70
45	-5	984	524	5,75	2,18	1,88
45	0	1.199	589	6,19	2,37	2,04

50	-35	183	260	3,90	0,82	0,70
50	-30	255	293	4,12	1,01	0,87
50	-25	351	331	4,39	1,23	1,06
50	-23,3	389	345	4,49	1,31	1,13
50	-20	470	374	4,70	1,46	1,26
50	-15	613	424	5,04	1,68	1,45
50	-10	779	479	5,43	1,89	1,63
50	-5	969	540	5,85	2,09	1,79
50	0	1.182	606	6,32	2,27	1,95

55	-35	178	262	3,91	0,79	0,68
55	-30	249	297	4,15	0,97	0,84
55	-25	343	337	4,43	1,18	1,02
55	-23,3	380	352	4,54	1,26	1,08
55	-20	460	383	4,76	1,40	1,20
55	-15	601	435	5,12	1,61	1,38
55	-10	766	492	5,52	1,81	1,56
55	-5	954	555	5,96	2,00	1,72
55	0	1.165	624	6,44	2,17	1,87

60	-35	173	264	3,92	0,76	0,66
60	-30	242	301	4,18	0,94	0,80
60	-25	334	343	4,48	1,13	0,97
60	-23,3	371	359	4,59	1,20	1,03
60	-20	450	392	4,82	1,34	1,15
60	-15	589	446	5,19	1,54	1,32
60	-10	752	505	5,61	1,73	1,49
60	-5	938	571	6,07	1,91	1,64
60	0	1.148	642	6,56	2,08	1,79

65	-35	168	265	3,93	0,74	0,63
65	-30	235	305	4,21	0,90	0,77
65	-25	326	349	4,52	1,08	0,93
65	-23,3	362	366	4,64	1,15	0,99
65	-20	440	400	4,88	1,28	1,10
65	-15	577	456	5,27	1,47	1,27
65	-10	739	518	5,70	1,66	1,42
65	-5	923	586	6,17	1,83	1,58
65	0	1.131	659	6,69	2,00	1,72

## CECOMAF

Tc °C	Te °C	Cooling Capacity W	Consumption W	Current A	COP W/W	EER kCal/Wh
40	-35	210	257	3,87	0,82	0,71
40	-30	303	285	4,07	1,07	0,92
40	-25	419	318	4,30	1,32	1,14
40	-23,3	463	331	4,39	1,40	1,21
40	-20	556	357	4,58	1,55	1,34
40	-15	715	402	4,89	1,78	1,53
40	-10	895	453	5,25	1,98	1,71
40	-5	1.098	509	5,64	2,16	1,86
40	0	1.323	571	6,07	2,32	2,00

45	-35	196	259	3,89	0,76	0,66
45	-30	281	289	4,10	0,97	0,84
45	-25	387	325	4,35	1,19	1,03
45	-23,3	428	338	4,44	1,27	1,09
45	-20	515	366	4,64	1,41	1,22
45	-15	665	413	4,97	1,61	1,39
45	-10	837	466	5,34	1,80	1,55
45	-5	1.031	524	5,75	1,97	1,70
45	0	1.247	589	6,19	2,12	1,83

50	-35	182	260	3,90	0,70	0,60
50	-30	258	293	4,12	0,88	0,76
50	-25	355	331	4,39	1,07	0,93
50	-23,3	394	345	4,49	1,14	0,99
50	-20	475	374	4,70	1,27	1,10
50	-15	616	424	5,04	1,45	1,26
50	-10	779	479	5,43	1,63	1,41
50	-5	965	540	5,85	1,79	1,54
50	0	1.172	606	6,32	1,93	1,67

55	-35	168	262	3,91	0,64	0,56
55	-30	235	297	4,15	0,79	0,68
55	-25	324	337	4,43	0,96	0,83
55	-23,3	359	352	4,54	1,02	0,88
55	-20	434	383	4,76	1,13	0,98
55	-15	567	435	5,12	1,30	1,13
55	-10	721	492	5,52	1,47	1,27
55	-5	898	555	5,96	1,62	1,40
55	0	1.096	624	6,44	1,76	1,52

60	-35	154	264	3,92	0,59	0,51
60	-30	212	301	4,18	0,71	0,61
60	-25	292	343	4,48	0,85	0,74
60	-23,3	324	359	4,59	0,90	0,78
60	-20	394	392	4,82	1,01	0,87
60	-15	518	446	5,19	1,16	1,00
60	-10	663	505	5,61	1,31	1,13
60	-5	831	571	6,07	1,46	1,26
60	0	1.020	642	6,56	1,59	1,37

65	-35	140	265	3,93	0,53	0,46
65	-30	190	305	4,21	0,62	0,54
65	-25	261	349	4,52	0,75	0,64
65	-23,3	290	366	4,64	0,79	0,68
65	-20	354	400	4,88	0,88	0,76
65	-15	469	456	5,27	1,03	0,89
65	-10	605	518	5,70	1,17	1,01
65	-5	764	586	6,17	1,30	1,13
65	0	945	659	6,69	1,43	1,24

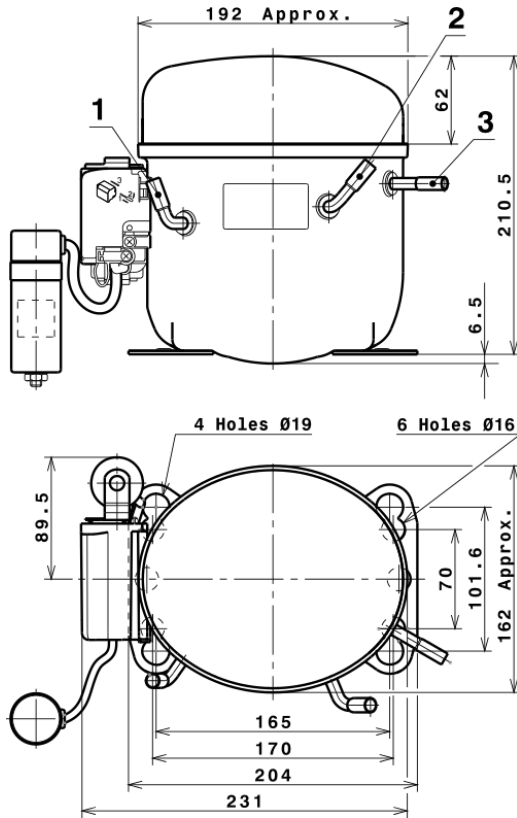
## EN12900

X	Cooling Capacity (W)	Consumption (W)	Current (A)	Mass Flow (kg/h)
1	1.930,0656311711	440,7639199267	5,1618769757	32,628437758409
2	60,9972068491	9,6276419955	0,0672256130	1,1896489559892
3	-15,6565703101	3,6245908078	0,0252820415	-0,082240017477866
4	0,4289258050	0,1184569344	0,0008239334	0,011808823130602
5	-0,3658704414	0,0938311388	0,0006542107	-0,001679901061605

Equation	$x_1 + x_2Te + x_3Tc + x_4Te^2 + x_5TeTc$
----------	---

# Technical Data Sheet

## COMPRESSOR DIMENSIONS

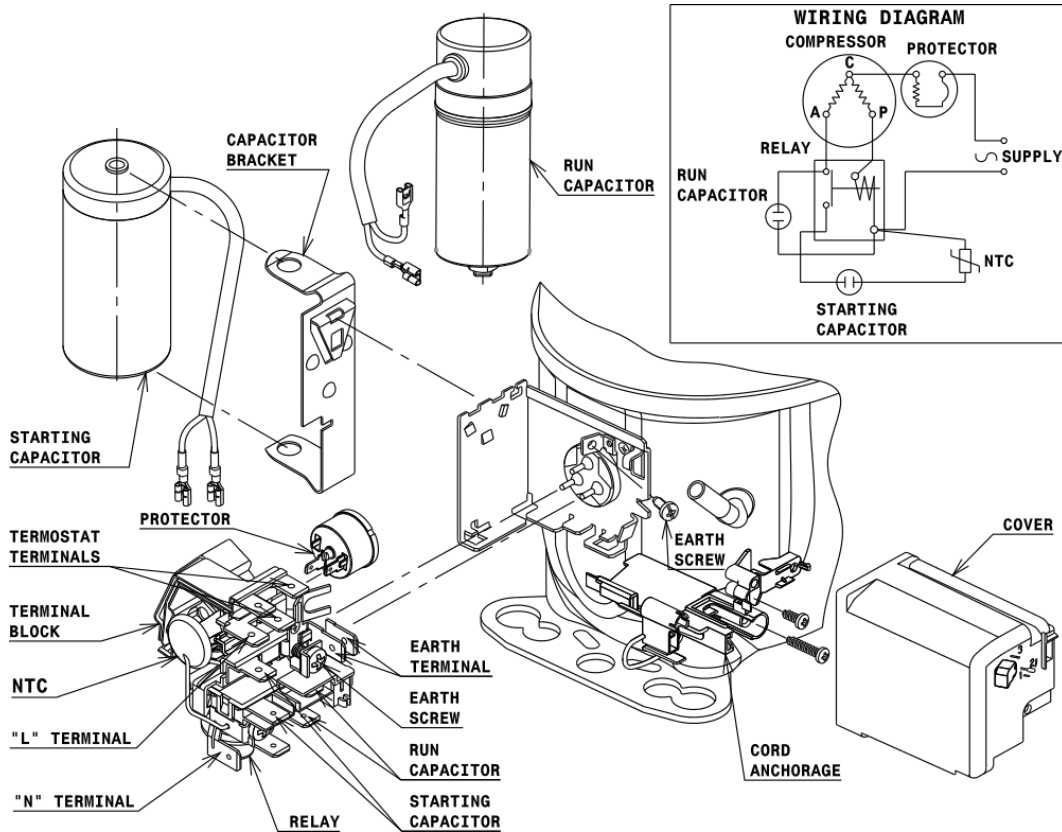


## DESIGNATION INTERNAL DIAM.

DESIGNATION	INTERNAL DIAM.
1 Suction	8,1 mm
2 Service	8,1 mm
3 Discharge	6,5 mm

## WIRING DIAGRAMS AND ELECTRICAL ASSEMBLY

### CSR CONNECTION (CURRENT RELAY + NTC) (L, P ranges)



## FIXINGS



## SILENT BLOCKS (MOUNTING ACCESSORIES)

### STANDARD

$\varnothing 16$  holes (170x70 net)



### AMERICAN FEET

$\varnothing 19$  holes (165x101.6 net)



### SNAP-ON

$\varnothing 16$  holes (170x70 net)



## SOA

SOA R134a LMBP

