

# Technical Data Sheet

Compressor model **GUY80NRc**  
 Voltage **115-127V 60Hz ~1**  
 Refrigerant **R134a**

## APPLICATION

## COMPRESSOR

## MOTOR

Application	Low-Medium Back Pressure	Displacement	8,10 cm <sup>3</sup>	Nominal Power	1/4 hp
Refrigerant	R134a	Diameter	24,29 mm	Voltage/Frequency	115-127V 60Hz
Evaporating Temp.	-35,0 °C to 0,0 °C	Stroke	17,50 mm	Voltage range	98-140 V
Expansion	Capillar/Valve	Net Weight	9,40 Kg	Type	CSIR
Comp. Cooling	Static	Oil type	ISO VG 10 ESTER	Phase number	1 PH
Max. ambient temp.	43,0 °C	Oil charge	220 cm <sup>3</sup>	Locked Rotor Amps (LRA)	24,50 A
Compatible refriger.	R1234yf			Max. Cont. Current (MCC)	4,80 A
				Main W. resist. at 25°C	2,15 Ω
				Start W. resist. at 25°C	12,30 Ω

## NOMINAL PERFORMANCE

## APPROVALS

	ASHRAE	CECOMAF
Cooling Capacity	228 kCal/h	193 W
COP	1,45 W/W	1,11 W/W
EER	1,25 kCal/Wh	0,96 kCal/Wh
Input Power	183 W	173 W
Current	2,53 A	2,48 A



## TEST CYCLE CONDITIONS

	ASHRAE LMBP (B)	CECOMAF LMBP (A)
Evaporating temp. (T <sub>e</sub> )	-23,3 °C	-25,0 °C
Condensing temp. (T <sub>c</sub> )	55,0 °C	55,0 °C
Liquid temp. (T <sub>liq.</sub> )	32,0 °C	55,0 °C
Ambient temp. (T <sub>amb.</sub> )	32,0 °C	32,0 °C
Suction temp. (T <sub>suction</sub> )	32,0 °C	32,0 °C
Voltage/Frequency	115 V 60 Hz	115 V 60 Hz

## ELECTRICAL COMPONENTS

	Option 1	Option 2		
Starting capacitor	150 µF 160 V			
Relay	Option 1	Option 2		
Reference	2014 166.	QLZ-11.0A		
Pick-Up	11,00 A	11 A		
Drop-Out	9,35 A	9.35 A		
Protector	Option 1	Option 2		
Reference	T0268	B154-105		
Current	15,00 A	15,80 A		
Time check	7,5-14 seg	7,5-16 seg		
Disc temp. (Open/Close)	105,00 / 52,00 °C	105,00 / 52,00 °C		

## ASHRAE

Tc °C	Te °C	Cooling Capacity kCal/h	Consumption W	Current A	COP W/W	EER kCal/Wh
40	-35	120	121	2,21	1,15	0,99
40	-30	167	138	2,29	1,41	1,22
40	-25	230	158	2,39	1,70	1,46
40	-23,3	255	165	2,43	1,80	1,55
40	-20	308	180	2,51	1,99	1,71
40	-15	402	206	2,67	2,27	1,95
40	-10	510	235	2,85	2,53	2,18
40	-5	635	266	3,08	2,77	2,38
40	0	774	301	3,34	2,99	2,57

45	-35	114	122	2,21	1,09	0,94
45	-30	160	141	2,30	1,32	1,14
45	-25	222	163	2,42	1,58	1,36
45	-23,3	246	171	2,46	1,67	1,44
45	-20	298	188	2,56	1,85	1,59
45	-15	390	216	2,73	2,11	1,81
45	-10	498	246	2,93	2,35	2,02
45	-5	620	280	3,18	2,57	2,21
45	0	758	317	3,47	2,78	2,39

50	-35	109	123	2,22	1,03	0,88
50	-30	153	144	2,32	1,24	1,06
50	-25	213	168	2,45	1,47	1,27
50	-23,3	237	177	2,50	1,56	1,34
50	-20	288	195	2,60	1,72	1,48
50	-15	379	225	2,79	1,96	1,68
50	-10	485	258	3,02	2,18	1,88
50	-5	606	294	3,28	2,40	2,06
50	0	743	333	3,60	2,59	2,23

55	-35	103	124	2,22	0,97	0,83
55	-30	146	147	2,33	1,15	0,99
55	-25	205	173	2,48	1,37	1,18
55	-23,3	228	183	2,53	1,45	1,25
55	-20	278	203	2,65	1,60	1,37
55	-15	368	235	2,85	1,82	1,57
55	-10	472	270	3,10	2,03	1,75
55	-5	592	308	3,39	2,24	1,92
55	0	727	349	3,74	2,42	2,08

60	-35	97	125	2,22	0,91	0,78
60	-30	139	150	2,35	1,08	0,92
60	-25	196	179	2,51	1,28	1,10
60	-23,3	219	189	2,57	1,35	1,16
60	-20	268	210	2,69	1,49	1,28
60	-15	356	244	2,92	1,70	1,46
60	-10	459	282	3,19	1,90	1,63
60	-5	578	322	3,51	2,09	1,80
60	0	711	365	3,88	2,27	1,95

65	-35	92	126	2,23	0,85	0,73
65	-30	132	154	2,37	1,00	0,86
65	-25	188	184	2,54	1,19	1,02
65	-23,3	210	195	2,60	1,25	1,08
65	-20	259	217	2,74	1,38	1,19
65	-15	345	254	2,99	1,58	1,36
65	-10	446	293	3,28	1,77	1,52
65	-5	563	336	3,62	1,95	1,68
65	0	696	381	4,03	2,12	1,83

## CECOMAF

Tc °C	Te °C	Cooling Capacity W	Consumption W	Current A	COP W/W	EER kCal/Wh
40	-35	131	121	2,21	1,08	0,93
40	-30	189	138	2,29	1,37	1,19
40	-25	262	158	2,39	1,66	1,44
40	-23,3	290	165	2,43	1,76	1,52
40	-20	350	180	2,51	1,94	1,68
40	-15	451	206	2,67	2,19	1,89
40	-10	567	235	2,85	2,42	2,09
40	-5	697	266	3,08	2,62	2,26
40	0	842	301	3,34	2,80	2,42

45	-35	120	122	2,21	0,98	0,85
45	-30	172	141	2,30	1,22	1,06
45	-25	239	163	2,42	1,47	1,27
45	-23,3	265	171	2,46	1,55	1,34
45	-20	321	188	2,56	1,71	1,48
45	-15	416	216	2,73	1,93	1,67
45	-10	526	246	2,93	2,14	1,85
45	-5	651	280	3,18	2,32	2,01
45	0	789	317	3,47	2,49	2,15

50	-35	109	123	2,22	0,88	0,76
50	-30	155	144	2,32	1,08	0,93
50	-25	216	168	2,45	1,29	1,11
50	-23,3	240	177	2,50	1,36	1,17
50	-20	292	195	2,60	1,49	1,29
50	-15	381	225	2,79	1,69	1,46
50	-10	486	258	3,02	1,88	1,63
50	-5	604	294	3,28	2,05	1,77
50	0	737	333	3,60	2,21	1,91

55	-35	97	124	2,22	0,79	0,68
55	-30	138	147	2,33	0,94	0,81
55	-25	193	173	2,48	1,11	0,96
55	-23,3	215	183	2,53	1,18	1,02
55	-20	263	203	2,65	1,30	1,12
55	-15	347	235	2,85	1,48	1,28
55	-10	445	270	3,10	1,65	1,42
55	-5	557	308	3,39	1,81	1,56
55	0	684	349	3,74	1,96	1,69

60	-35	86	125	2,22	0,69	0,60
60	-30	121	150	2,35	0,81	0,70
60	-25	170	179	2,51	0,95	0,82
60	-23,3	190	189	2,57	1,01	0,87
60	-20	234	210	2,69	1,11	0,96
60	-15	312	244	2,92	1,28	1,10
60	-10	404	282	3,19	1,43	1,24
60	-5	510	322	3,51	1,59	1,37
60	0	631	365	3,88	1,73	1,49

65	-35	75	126	2,23	0,60	0,52
65	-30	104	154	2,37	0,68	0,59
65	-25	147	184	2,54	0,80	0,69
65	-23,3	165	195	2,60	0,85	0,73
65	-20	205	217	2,74	0,94	0,81
65	-15	277	254	2,99	1,09	0,94
65	-10	363	293	3,28	1,24	1,07
65	-5	464	336	3,62	1,38	1,19
65	0	579	381	4,03	1,52	1,31

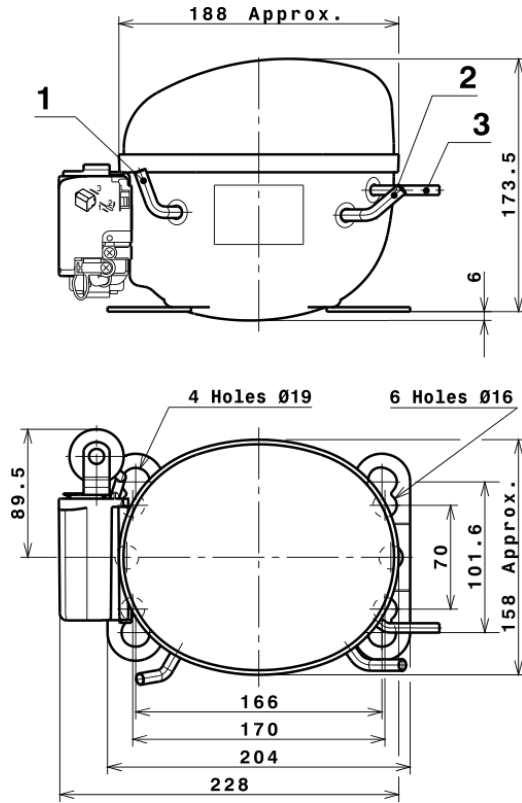
## EN12900

X	Cooling Capacity (W)	Consumption (W)	Current (A)	Mass Flow (kg/h)
1	1.264,0836130323	177,4681725694	2,2838538646	21,703684032218
2	39,6946470265	3,9445819840	0,0298795153	0,77885753114906
3	-10,8548990897	3,2826482787	0,0279293961	-0,075728205166173
4	0,2803209623	0,0620587911	0,0007684133	0,0076963645596875
5	-0,2460419607	0,0879527917	0,0007703079	-0,0014050169062227

Equation	$x_1 + x_2Te + x_3Tc + x_4Te^2 + x_5TeTc$
----------	---

# Technical Data Sheet

## COMPRESSOR DIMENSIONS

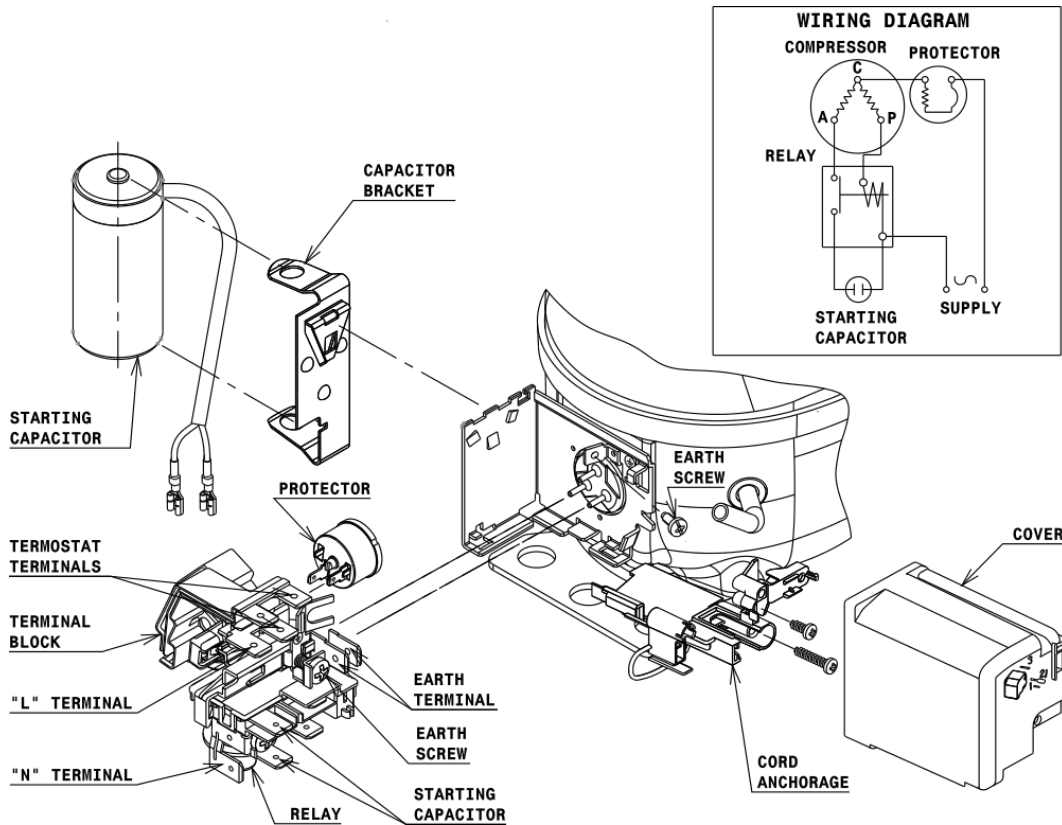


## DESIGNATION INTERNAL DIAM.

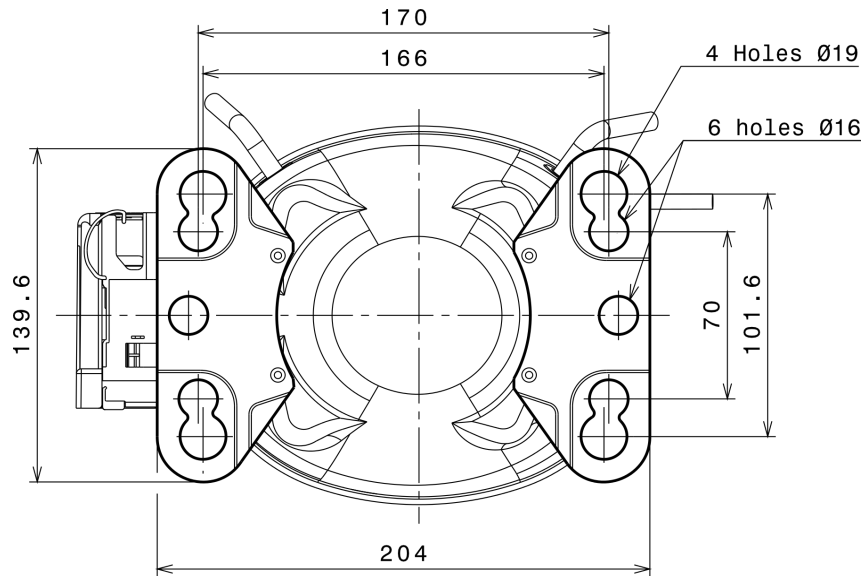
DESIGNATION	INTERNAL DIAM.
1 Service	6,2 mm
2 Suction	6,2 mm
3 Discharge	4,9 mm

## WIRING DIAGRAMS AND ELECTRICAL ASSEMBLY

### CSIR CONNECTION (U range)



## FIXINGS



## SILENT BLOCKS (MOUNTING ACCESSORIES)

### STANDARD

$\varnothing 16$  holes (170x70 net)



### AMERICAN FEET

$\varnothing 19$  holes (166x101.6 net)



### SNAP-ON

$\varnothing 16$  holes (170x70 net)



## SOA

SOA R134a LMBP

