

Technical Data Sheet

Compressor model **GLY12RRb**
 Voltage **115-127V 60Hz ~1**
 Refrigerant **R134a**

APPLICATION

COMPRESSOR

MOTOR

Application	High-Medium Back Pressure	Displacement	10,70 cm ³	Nominal Power	3/8 hp
Refrigerant	R134a	Diameter	25,40 mm	Voltage/Frequency	115-127V 60Hz
Evaporating Temp.	-25,0 °C to 10,0 °C	Stroke	21,12 mm	Voltage range	98-140 V
Expansion	Capillar/Valve	Net Weight	11,24 Kg	Type	CSR
Comp. Cooling	Fan cooled	Oil type	ISO VG 32 ESTER	Phase number	1 PH
Max. ambient temp.	43,0 °C	Oil charge	345 cm ³	Locked Rotor Amps (LRA)	36,00 A
Compatible refriger.	R1234yf			Max. Cont. Current (MCC)	8,20 A
				Main W. resist. at 25°C	1,27 Ω
				Start W. resist. at 25°C	8,47 Ω

NOMINAL PERFORMANCE

	ASHRAE	CECOMAF
Cooling Capacity	1.044 kCal/h	1.015 W
COP	2,32 W/W	2,01 W/W
EER	2,00 kCal/Wh	1,74 kCal/Wh
Input Power	523 W	505 W
Current	4,96 A	4,80 A

APPROVALS



TEST CYCLE CONDITIONS

	ASHRAE HMBP (D)	CECOMAF HMBP (C)
Evaporating temp. (T _e)	7,2 °C	5,0 °C
Condensing temp. (T _c)	55,0 °C	55,0 °C
Liquid temp. (T _{liq.})	46,0 °C	55,0 °C
Ambient temp. (T _{amb.})	35,0 °C	32,0 °C
Suction temp. (T _{suction})	35,0 °C	32,0 °C
Voltage/Frequency	115 V 60 Hz	115 V 60 Hz

ELECTRICAL COMPONENTS

Starting capacitor	170 µF 160 V			
Run capacitor	15 µF 250 V			
Relay	Option 1	Option 2		
Reference	2014 184. + NTC3Ω	QLZ-18.7A + NTC3Ω		
Pick-Up	18,70 A	18.70 A		
Drop-Out	15,60 A	15.60 A		
Protector	Option 1			
Reference	T0260			
Current	22,00 A			
Time check	7,5-14 seg			
Disc temp. (Open/Close)	105,00 / 52,00 °C			

ASHRAE

Tc °C	Te °C	Cooling Capacity kCal/h	Consumption W	Current A	COP W/W	EER kCal/Wh
40	-25	273	248	2,79	1,28	1,10
40	-20	367	278	3,00	1,54	1,32
40	-15	481	309	3,23	1,81	1,56
40	-10	616	343	3,48	2,09	1,80
40	-5	770	379	3,76	2,37	2,03
40	0	945	416	4,06	2,64	2,27
40	5	1.139	456	4,38	2,91	2,50
40	7,2	1.231	474	4,54	3,02	2,60
40	10	1.354	498	4,74	3,16	2,72

45	-25	252	250	2,80	1,17	1,01
45	-20	340	282	3,03	1,40	1,21
45	-15	448	316	3,28	1,65	1,42
45	-10	576	352	3,55	1,90	1,64
45	-5	723	390	3,84	2,16	1,86
45	0	891	429	4,16	2,41	2,08
45	5	1.080	471	4,51	2,66	2,29
45	7,2	1.169	490	4,67	2,77	2,38
45	10	1.288	515	4,89	2,91	2,50

50	-25	231	252	2,82	1,07	0,92
50	-20	312	286	3,06	1,27	1,09
50	-15	414	322	3,32	1,49	1,28
50	-10	535	360	3,61	1,73	1,49
50	-5	677	400	3,93	1,97	1,69
50	0	838	443	4,27	2,20	1,89
50	5	1.020	487	4,64	2,44	2,10
50	7,2	1.106	507	4,82	2,54	2,18
50	10	1.222	533	5,05	2,67	2,29

55	-25	210	254	2,83	0,96	0,83
55	-20	285	290	3,09	1,14	0,98
55	-15	380	329	3,37	1,34	1,16
55	-10	495	369	3,68	1,56	1,34
55	-5	630	411	4,02	1,78	1,53
55	0	785	456	4,38	2,00	1,72
55	5	961	502	4,78	2,23	1,91
55	7,2	1.044	523	4,96	2,32	2,00
55	10	1.156	550	5,20	2,44	2,10

60	-25	189	256	2,84	0,86	0,74
60	-20	258	295	3,12	1,02	0,87
60	-15	346	335	3,42	1,20	1,03
60	-10	455	378	3,75	1,40	1,20
60	-5	583	422	4,10	1,61	1,38
60	0	732	469	4,49	1,82	1,56
60	5	901	517	4,91	2,03	1,74
60	7,2	982	539	5,11	2,12	1,82
60	10	1.090	568	5,36	2,23	1,92

65	-25	168	258	2,86	0,76	0,65
65	-20	230	299	3,15	0,90	0,77
65	-15	312	342	3,47	1,06	0,91
65	-10	414	386	3,82	1,25	1,07
65	-5	537	433	4,19	1,44	1,24
65	0	679	482	4,60	1,64	1,41
65	5	842	533	5,05	1,84	1,58
65	7,2	919	556	5,25	1,92	1,65
65	10	1.024	585	5,53	2,03	1,75

CECOMAF

Tc °C	Te °C	Cooling Capacity W	Consumption W	Current A	COP W/W	EER kCal/Wh
40	-25	294	249	2,80	1,18	1,02
40	-20	397	279	3,01	1,42	1,23
40	-15	520	311	3,24	1,67	1,45
40	-10	665	345	3,49	1,93	1,67
40	-5	831	381	3,77	2,18	1,89
40	0	1.018	419	4,08	2,43	2,10
40	5	1.226	459	4,41	2,67	2,31
40	7,2	1.325	477	4,56	2,78	2,40
40	10	1.456	501	4,77	2,91	2,51

45	-25	270	251	2,81	1,07	0,93
45	-20	365	283	3,04	1,29	1,11
45	-15	481	317	3,29	1,52	1,31
45	-10	618	354	3,56	1,75	1,51
45	-5	776	392	3,86	1,98	1,71
45	0	956	432	4,18	2,21	1,91
45	5	1.156	474	4,54	2,44	2,11
45	7,2	1.251	493	4,70	2,53	2,19
45	10	1.377	519	4,92	2,66	2,29

50	-25	246	253	2,83	0,97	0,84
50	-20	333	288	3,07	1,16	1,00
50	-15	441	324	3,34	1,36	1,18
50	-10	571	362	3,63	1,58	1,36
50	-5	721	403	3,95	1,79	1,55
50	0	893	445	4,29	2,00	1,73
50	5	1.085	490	4,67	2,22	1,91
50	7,2	1.177	510	4,85	2,31	1,99
50	10	1.299	536	5,08	2,42	2,09

55	-25	222	255	2,84	0,87	0,75
55	-20	302	292	3,10	1,03	0,89
55	-15	402	330	3,39	1,22	1,05
55	-10	523	371	3,70	1,41	1,22
55	-5	666	414	4,04	1,61	1,39
55	0	830	458	4,40	1,81	1,56
55	5	1.015	505	4,80	2,01	1,74
55	7,2	1.103	526	4,99	2,09	1,81
55	10	1.221	554	5,24	2,20	1,90

60	-25	198	257	2,85	0,77	0,67
60	-20	270	296	3,13	0,91	0,79
60	-15	362	337	3,43	1,08	0,93
60	-10	476	380	3,76	1,25	1,08
60	-5	611	425	4,12	1,44	1,24
60	0	767	472	4,52	1,63	1,41
60	5	944	521	4,94	1,81	1,57
60	7,2	1.029	543	5,14	1,89	1,64
60	10	1.142	572	5,40	2,00	1,73

65	-25	174	259	2,87	0,67	0,58
65	-20	238	300	3,16	0,79	0,68
65	-15	323	343	3,48	0,94	0,81
65	-10	429	389	3,83	1,10	0,95
65	-5	556	436	4,21	1,28	1,10
65	0	704	485	4,63	1,45	1,25
65	5	873	536	5,08	1,63	1,41
65	7,2	955	559	5,28	1,71	1,47
65	10	1.064	589	5,56	1,81	1,56

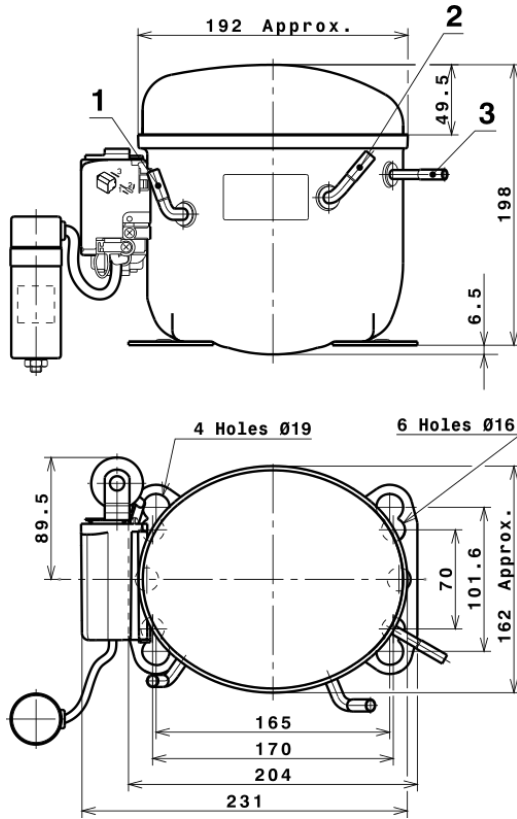
EN12900

X	Cooling Capacity (W)	Consumption (W)	Current (A)	Mass Flow (kg/h)
1	1.527,4481298953	321,0834072669	3,2059549503	25,099361797102
2	52,1520154278	4,4223807787	0,0347042125	0,9628569894512
3	-13,0521499625	2,7160952477	0,0237102181	-0,068080703996237
4	0,4148045486	0,0446399826	0,0006115350	0,012013607615422
5	-0,3282271731	0,0922007839	0,0008328987	-0,00054012145678484

Equation	$x_1 + x_2Te + x_3Tc + x_4Te^2 + x_5TeTc$
----------	---

Technical Data Sheet

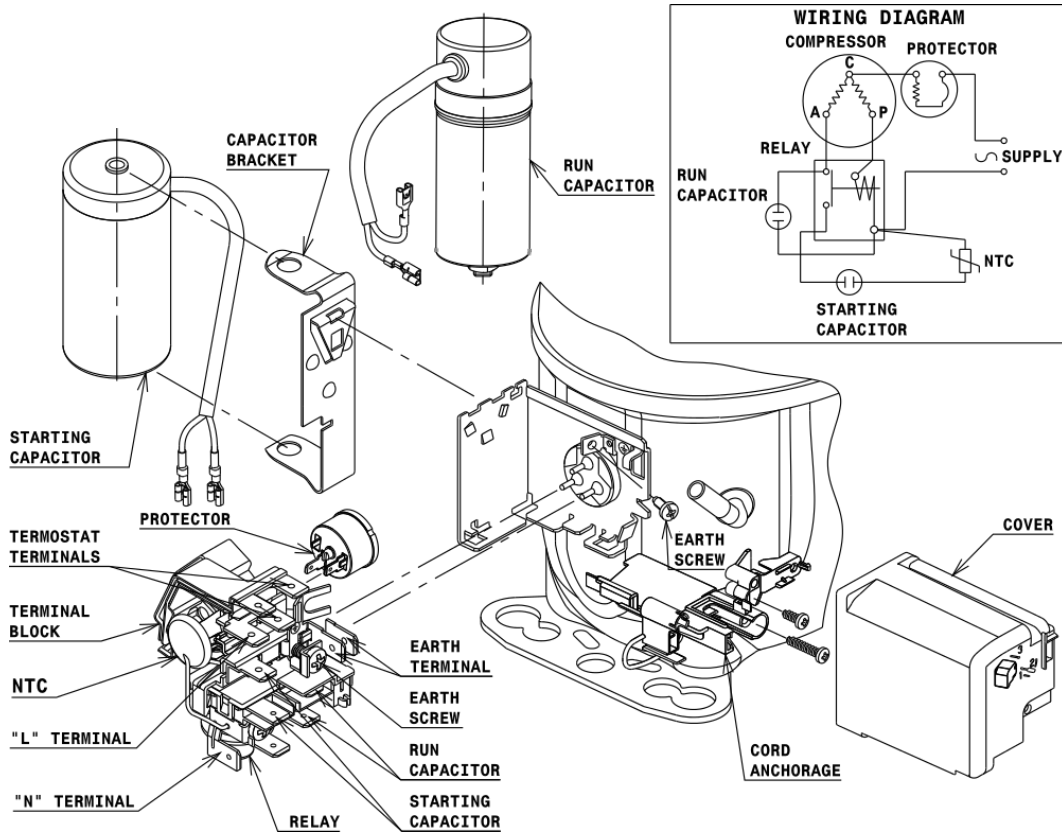
COMPRESSOR DIMENSIONS



DESIGNATION	INTERNAL DIAM.
1 Suction	8,1 mm
2 Service	8,1 mm
3 Discharge	6,5 mm

WIRING DIAGRAMS AND ELECTRICAL ASSEMBLY

CSR CONNECTION (CURRENT RELAY + NTC) (L, P ranges)



FIXINGS



SILENT BLOCKS (MOUNTING ACCESSORIES)

STANDARD

$\varnothing 16$ holes (170x70 net)



AMERICAN FEET

$\varnothing 19$ holes (165x101.6 net)



SNAP-ON

$\varnothing 16$ holes (170x70 net)



SOA

SOA R134a HMBP

