

Condensing Unit Technical Data Sheet

Model CMX21FGa_N
Voltage 200-220/220-230V 50/60Hz ~1
Refrigerant R404A

APPLICATION

Application Low Back Pressure
 Refrigerant R404A
 Evaporating Temp. -40,0 °C to -10,0 °C
 Expansion Capillar/Valve
 Comp. Cooling Fan cooled
 Max. ambient temp. 43,0 °C

COMPRESSOR

Displacement 20,72 cm³
 Diameter 34,93 mm
 Stroke 21,62 mm
 Oil type ISO VG 32 ESTER
 Oil charge 650 cm³

MOTOR

Nominal Power 3/4 hp
 Voltage/Frequency 220-230V 60Hz
 Voltage range 198-253 V
 Type CSR
 Phase number 1 PH
 Locked Rotor Amps (LRA) 30,00 A
 Max. Cont. Current (MCC) 6,50 A
 Main W. resist. at 25°C 2,50 Ω
 Start W. resist. at 25°C 5,98 Ω

NOMINAL PERFORMANCE

	ASHRAE
Cooling Capacity	1.093 W
COP	1,30 W/W
EER	1,12 kCal/Wh
Input Power	838 W
Current	4,20 A

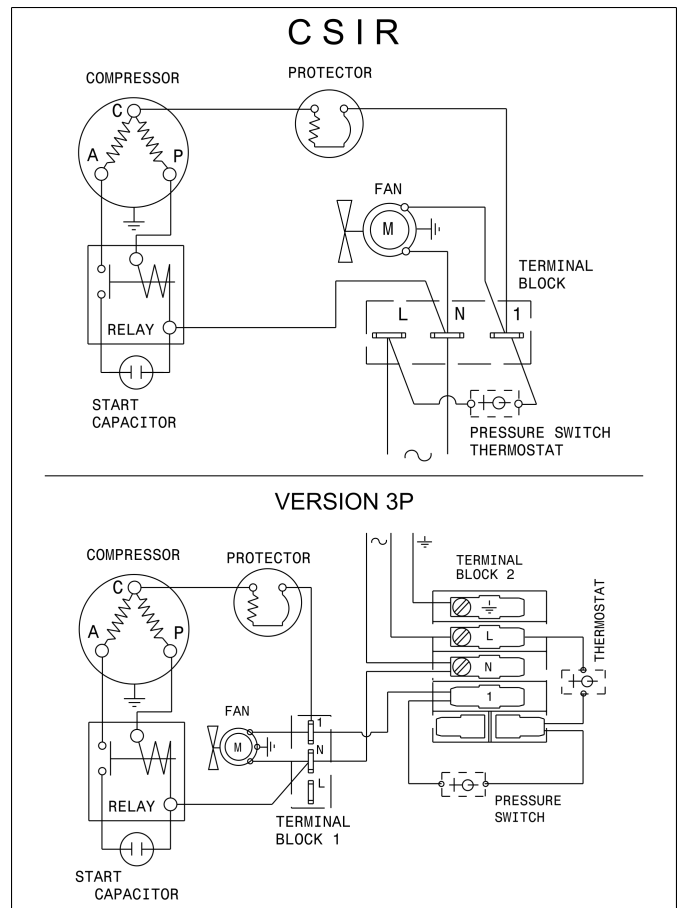
TEST CYCLE CONDITIONS

	LBP
Evaporating temp. (T _e)	-23,3 °C
Condensing temp. (T _c)	55,0 °C
Liquid temp. (T _{liq.})	32,0 °C
Ambient temp. (T _{amb.})	32,0 °C
Suction temp. (T _{suction})	32,0 °C
Voltage/Frequency	230 V 60 Hz

CONDENSER AND FAN DATA

Condenser type	CU-AL
Condenser model	10T 4R
Fan blade (Ø mm / °)	230 / 28
Fan motor	10W 230V 50/60Hz

WIRING DIAGRAM



REFRIGERATION CAPACITY (W) Evaporating Temperature (°C)

Model	Motor	-40	-35	-30	-25	-23.3			-10
						W	Winp	A	
CMX21FGa_N	CSR	333	507	728	993	1093	838	4.2	2059

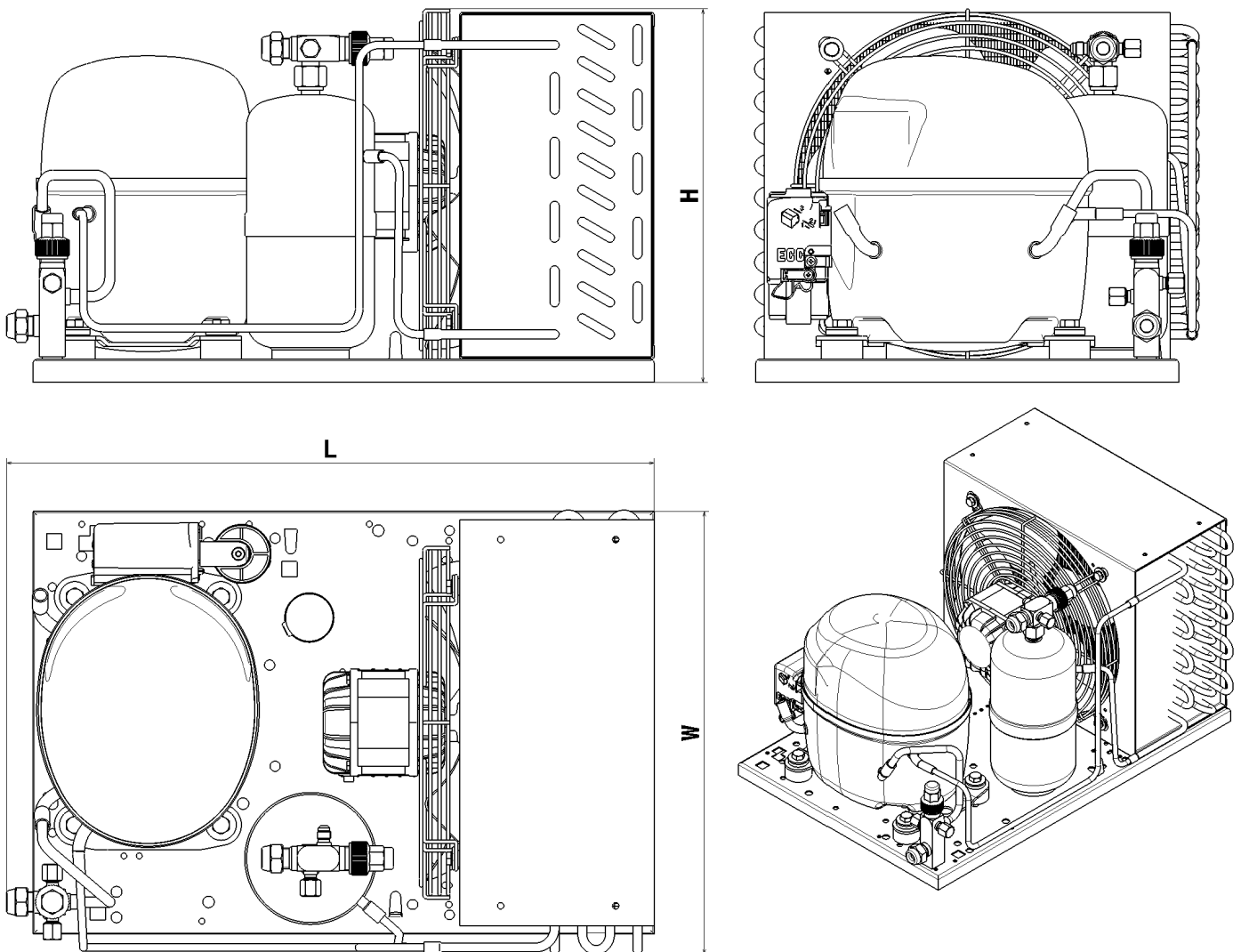
ASHRAE LBP: Condensing temperature: 55°C, Liquid temperature: 32°C, Suction temperature: 32°C, Ambient temperature: 32°C

Condensing Unit Technical Data Sheet

VERSIONS

VERSION 1	VERSION 2	VERSION 3	VERSION 3P	VERSION 4
Tube	Service valve	Service valve and receiver	Service valve, receiver, pressure switch	Schrader valve on the service port
Suction tube internal diam.: 9,7 mm Discharge tube internal diam.: 6,5 mm Net Weight: 28,5 Kg	Suction valve: 3/8" Discharge valve: 3/8" Net Weight: 28,9 Kg	Receiver vol.: 1,1 l Suction valve: 3/8" Discharge valve: 3/8" Net Weight: 30,7 Kg	Receiver vol.: 1,1 l Suction valve: 3/8" Discharge valve: 3/8" Net Weight: 31,8 Kg	Suction tube internal diam.: 9,7 mm Discharge tube internal diam.: 6,5 mm Net Weight: 28,5 Kg

DIMENSIONS (Version 3 drawing)



VERSION 1-4 (WxLxH) (mm)	VERSION 2 (WxLxH) (mm)	VERSION 3 (WxLxH) (mm)	VERSION 3P (WxLxH) (mm)
350x490x300	350x510x300	355x510x300	355x540x300