

XA235A-A1-101 Technical Specifications

Contents

| | |
|-------------------------------------|---|
| 1 . Specifications | 1 |
| 2 . Configuration | 1 |
| 3 . Attachments | 2 |
| 4 . First Test Condition (°C) | 2 |
| 5 . Internal Protection Parts | 2 |
| 6. Performance Data | 3 |
| 7. Application Envelope | 4 |
| 8. Drawing | 4 |

1 . Specifications

| | | | |
|---|--|----------------------------------|-------|
| Model | XA235A-A1-101 | Power | 8HP |
| Displacement(m ³ /h) | 22.6 | Refrigerant | R22 |
| Cooling Cap.(W) ^(a) | 24031 | Input Power(W) ^(a) | 6996 |
| Rated Load Amps(A) ^(a) | 12.9 | COP ^(a) | 3.43 |
| Max. Vibration(mm) ^(a) | <0.10 | Sound Level (dBA) ^(a) | 76 |
| Test Power Source ^(a) | 50Hz-380V | Rated Speed (RPM) ^(a) | 2900 |
| Max. Moisture (mg) | < 500 | Max. Impurity (mg) | < 100 |
| Oil Circulation (%) ^(a) | <1% | Weight (kg, With Oil) | 53.0 |
| Electrical Specification | Power Source | 380V-420V 3~50Hz 460V 3~60Hz | |
| | Run Capacitor | / | |
| | Min. Operation Voltage(V) ^(b) | 342 | |
| | Max. Operation Voltage(V) | 462 | |
| | Min. Starting Voltage(V) ^(c) | 323 | |
| | Lock Rotor Amps(A) | 100.00 | |
| | Max. Operation Current ^(d) | 17.4 (A) | |
| | Motor Insulation Temp.(°C) | 130 | |
| Terminal Resistance (Ω) (± 10%) At 25 °C | T1(C)-T2(S) | 1.34 | |
| | T2(S)-T3(R) | 1.26 | |
| | T3(R)-T1(C) | 1.31 | |
| Lubrication | Oil Type | 3GS | |
| | Initial Charge(L) | 3.5 | |
| | Recharge(L) | 3.0 | |
| Electrical Safety | Insulation Voltage(V) | 2500 | |
| | Leakage Current(mA) | ≤5 | |
| | Insulation Resistance(MΩ) | >20 | |
| | Ground Resistance(Ω) | <0.1 | |
| Max. Operation Pressure | High Side(MPa) | 3.0 | |
| | Low Side(MPa) | 2.0 | |

Notes:

- a) Test Condition: Based On Test Power Voltage, First Rated Condition;
- b) Test Condition: ET 13°C, CT 65°C, SH 11.1K
- c) Test Condition: Discharge/Suction Pressure Set To Refrigeration Saturation Pressure At 40°C.
- d) Test Condition: ET 13°C, CT 65°C, SH11.1K, 90% Min. Rated Voltage;

2 . Configuration

| Suction/Discharge | Injection | Sight Glass | Thermal Tube |
|-------------------|-----------|-------------------|--------------|
| Welded Fittings | NONE | Screw Sight Glass | NONE |

3 . Certifications

| Certifications | Report N.O. |
|----------------|----------------|
| CB | CNCVC1150-A1 |
| CE | LVDJX23-0057 |
| CCC | CVC23008010772 |
| PED | / |
| UL | / |
| | |
| | |
| | |
| | |
| | |
| | |

4 . First Test Condition (°C)

Cooling Cap. and COP No Less Than **95%** of Nominal Value, Power and Current No More Than 105% of Nominal Value (Performance And Sound Power Need 24hrs Break In At High Load Running Condition)。

| Item | Parameter | Value |
|------|-------------------|-------|
| 1 | Evaporating Temp. | 7.2 |
| 2 | Condensing Temp. | 54.4 |
| 3 | Ambient Temp. | 35.0 |
| 4 | Super Heat | 11.1 |
| 5 | Sub Cooling | 8.3 |

5 . Compressor Protection Parts

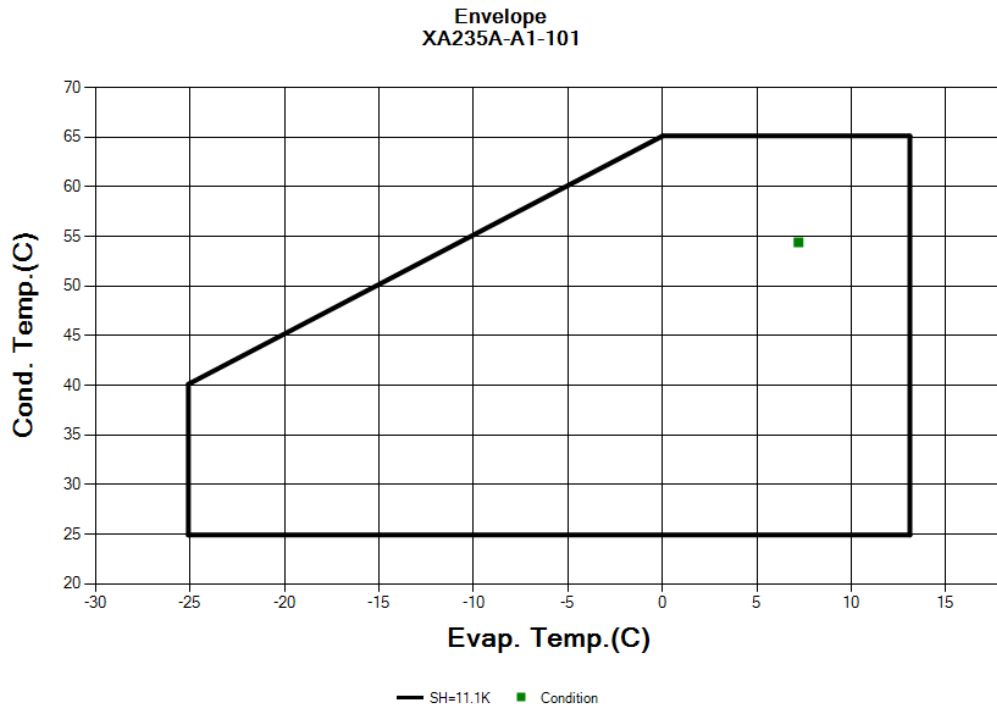
- a) Thermal Protection Inside:37HM546-20;
- b) Internal Pressure Release Valve, Open Range (Pressure Difference Between Discharge And Suction) : 2.76~3.10Mpa

6. Performance Data- XA235A-A1-101

| kW | Temp. Cond.(°C) | Temp. Evap. (°C) | | | | | | | | |
|--------------|---------------------|------------------|-------|-------|-------|-------|-------|-------|-------|-------|
| | | -25 | -20 | -15 | -10 | -5 | 0 | 5 | 10 | 13 |
| Cooling Cap. | 65 | | | | | | 16.00 | 19.35 | 23.18 | 25.73 |
| | 60 | | | | | 14.10 | 17.21 | 20.75 | 24.78 | 27.48 |
| | 55 | | | | 12.24 | 15.10 | 18.37 | 22.08 | 26.31 | 29.14 |
| | 50 | | | 10.45 | 13.07 | 16.06 | 19.46 | 23.33 | 27.75 | 30.70 |
| | 45 | | 8.77 | 11.14 | 13.86 | 16.97 | 20.50 | 24.52 | 29.11 | 32.18 |
| | 40 | 7.21 | 9.34 | 11.80 | 14.62 | 17.84 | 21.49 | 25.65 | 30.41 | 33.60 |
| | 35 | 7.69 | 9.89 | 12.43 | 15.35 | 18.67 | 22.44 | 26.73 | 31.65 | 34.95 |
| | 30 | 8.15 | 10.42 | 13.05 | 16.05 | 19.47 | 23.36 | 27.78 | 32.85 | 36.26 |
| | 25 | 8.61 | 10.95 | 13.66 | 16.74 | 20.26 | 24.25 | 28.80 | 34.03 | 37.55 |
| Input Power | 65 | | | | | | 8.80 | 8.80 | 8.81 | 8.83 |
| | 60 | | | | | 7.86 | 7.87 | 7.88 | 7.90 | 7.93 |
| | 55 | | | | 7.01 | 7.03 | 7.05 | 7.07 | 7.11 | 7.15 |
| | 50 | | | 6.22 | 6.27 | 6.31 | 6.33 | 6.37 | 6.41 | 6.45 |
| | 45 | | 5.47 | 5.57 | 5.63 | 5.67 | 5.71 | 5.75 | 5.80 | 5.85 |
| | 40 | 4.74 | 4.89 | 4.99 | 5.06 | 5.11 | 5.15 | 5.20 | 5.26 | 5.31 |
| | 35 | 4.22 | 4.38 | 4.48 | 4.56 | 4.62 | 4.67 | 4.72 | 4.78 | 4.84 |
| | 30 | 3.76 | 3.92 | 4.03 | 4.11 | 4.18 | 4.23 | 4.28 | 4.35 | 4.41 |
| | 25 | 3.34 | 3.51 | 3.62 | 3.71 | 3.77 | 3.83 | 3.88 | 3.95 | 4.01 |

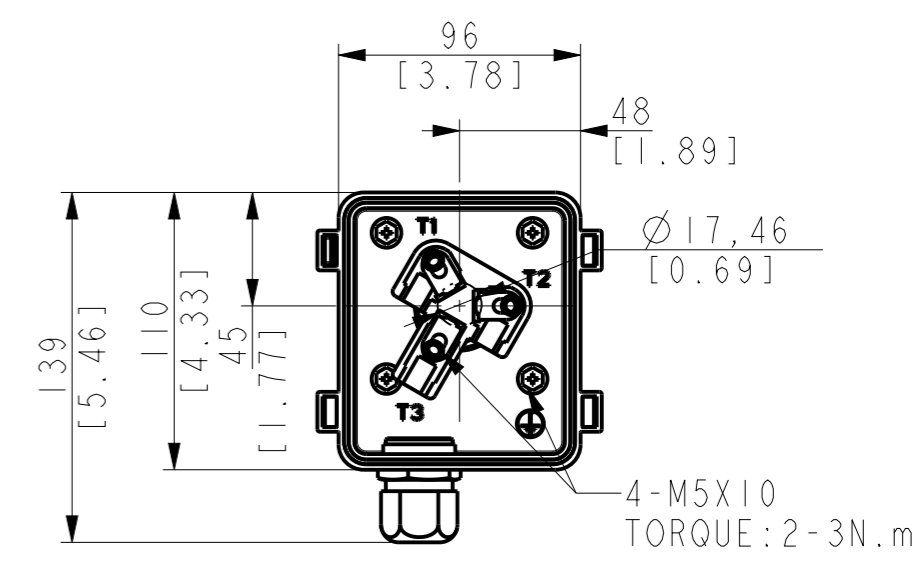
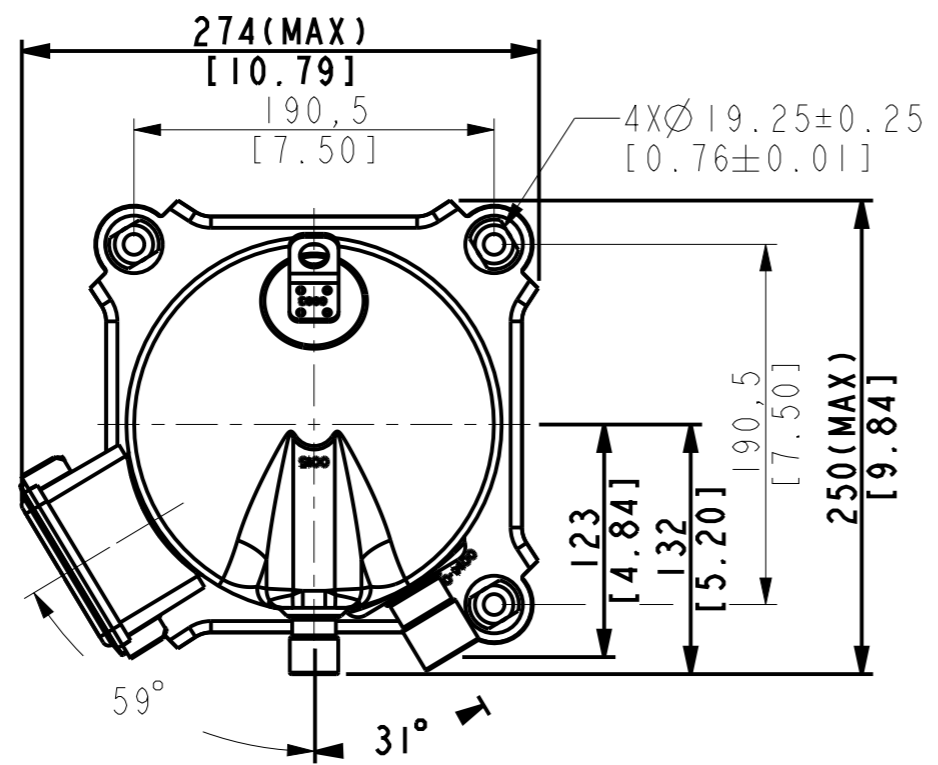
Notes: Capacity Calculation Based On SH=11.1K,SC=8.3K

7. Application Envelope

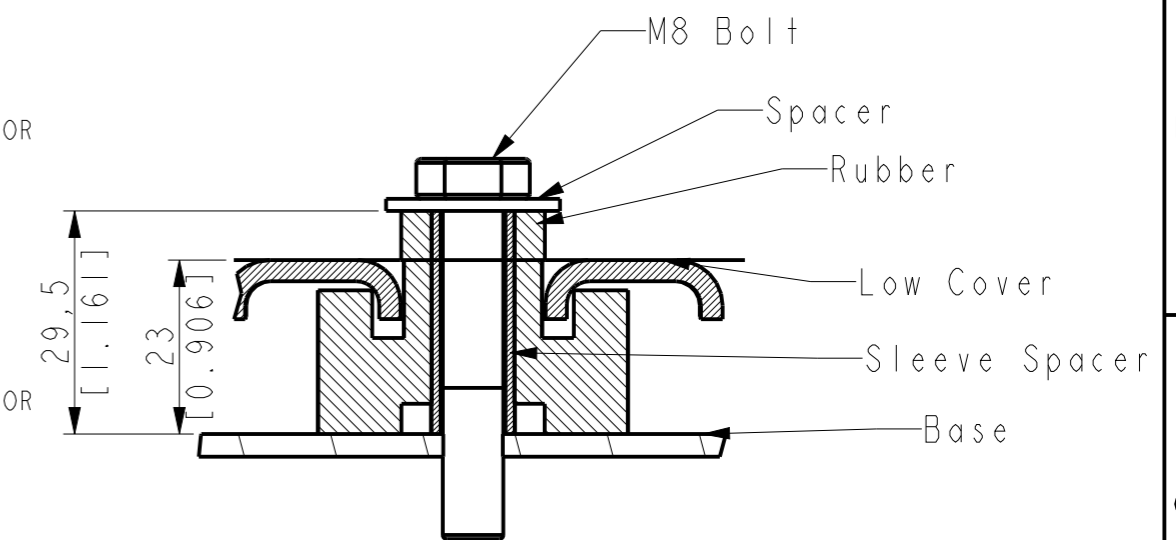


For Compressor Safty, Shutdown Compressor When DLT Above 125°C; When Compressor Running, Control DLT<= 110°C ;ReStart Compressor When DLT Below 85°C

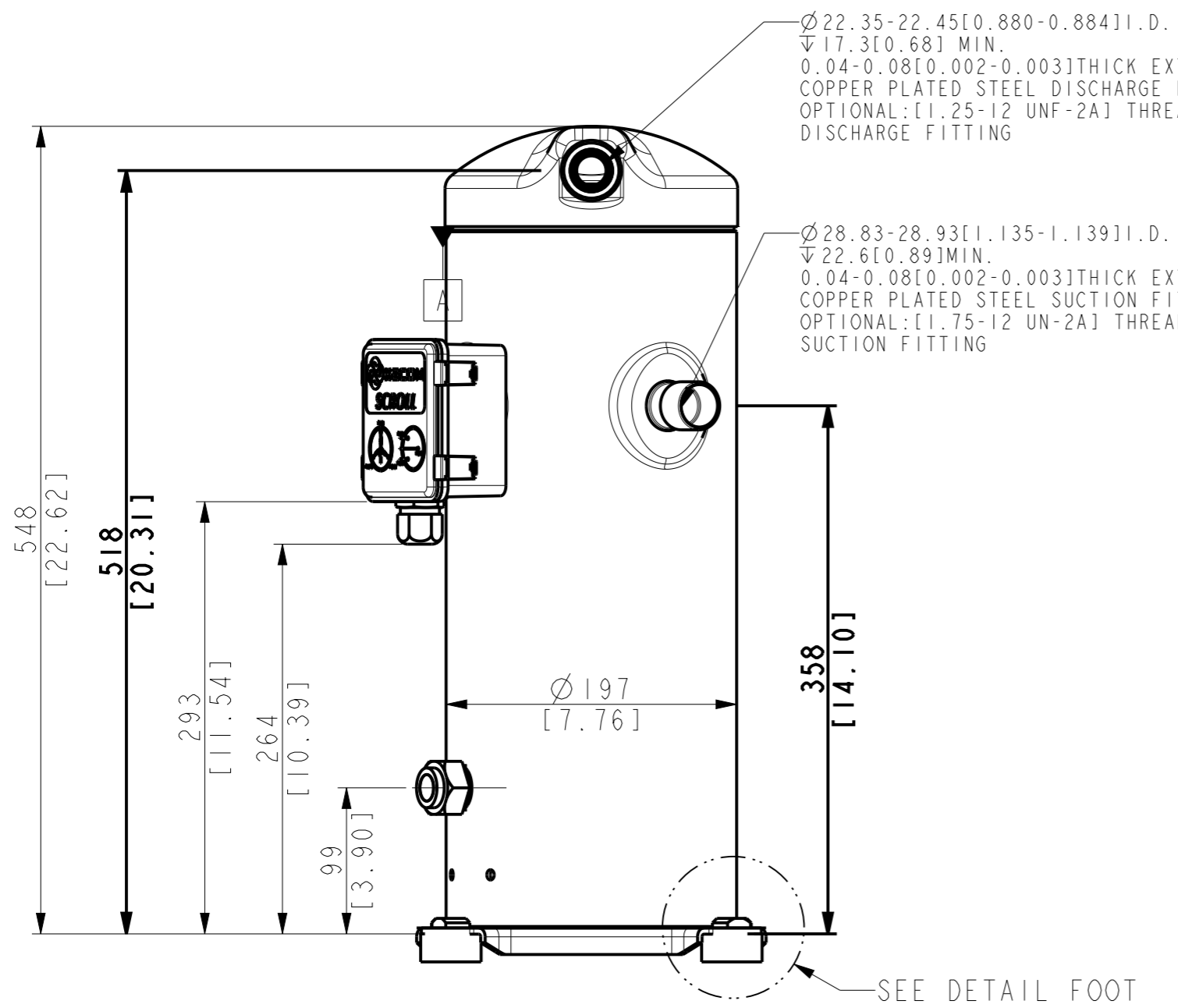
8. Drawing



TERMINAL BOX LAYOUT
SCALE 1:3



DETAIL FOOT



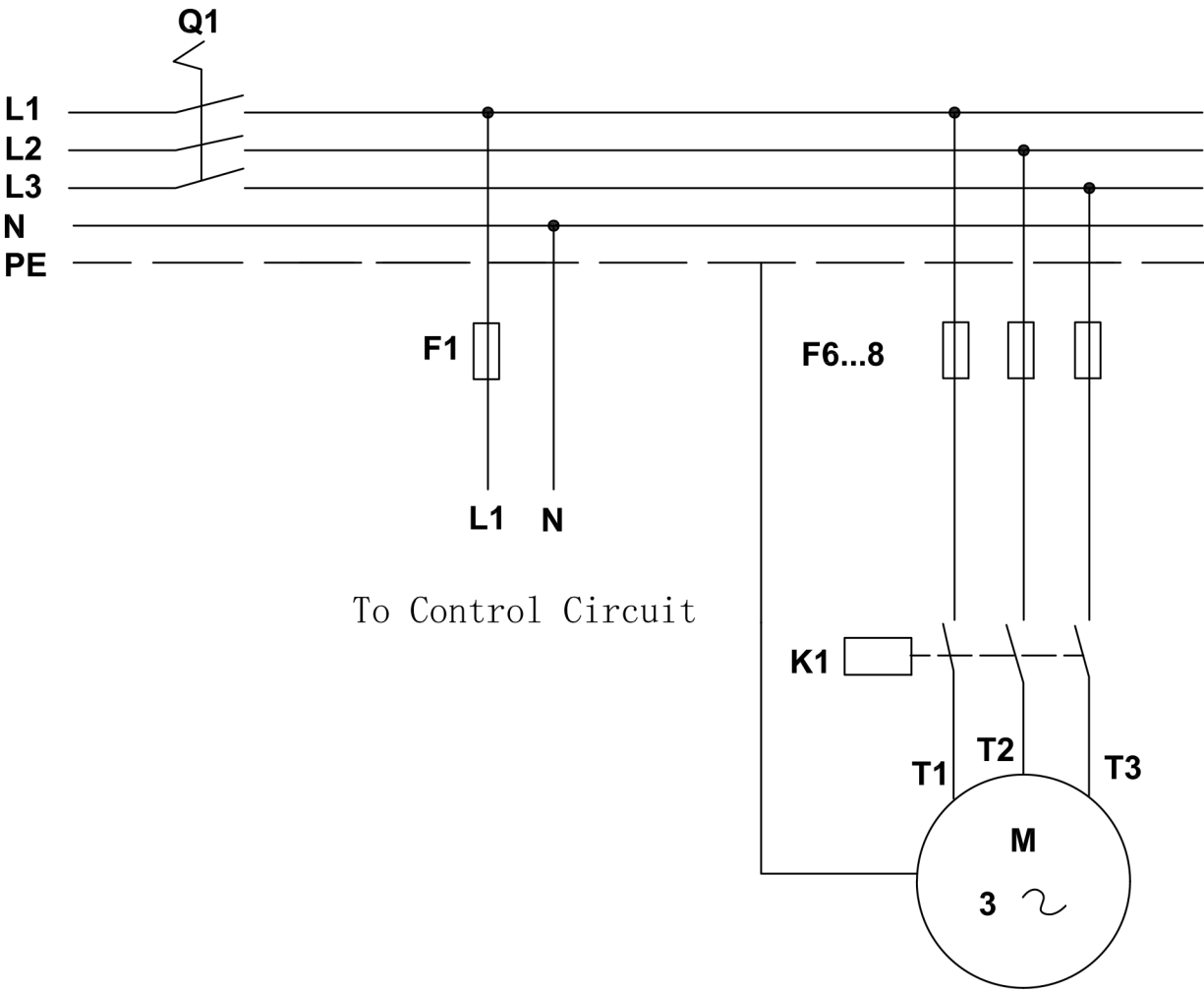
Ø22.35-22.45 [0.880-0.884] I.D.
▽17.3 [0.68] MIN.
0.04-0.08 [0.002-0.003] THICK EXTERIOR AND INTERIOR
COPPER PLATED STEEL DISCHARGE FITTING
OPTIONAL: [1.25-12 UNF-2A] THREAD ROTALOCK SPUD
DISCHARGE FITTING

Ø28.83-28.93 [1.135-1.139] I.D.
▽22.6 [0.89] MIN.
0.04-0.08 [0.002-0.003] THICK EXTERIOR AND INTERIOR
COPPER PLATED STEEL SUCTION FITTING
OPTIONAL: [1.75-12 UN-2A] THREAD ROTALOCK SPUD
SUCTION FITTING

- Notes:
- (1) All tolerances 1.5mm [0.06in] unless otherwise specified
 - (2) All fittings: + 3.0mm 0.12in
 - (3) Tube ends must be plugged
 - (4) All units are in mmlinch]

| | | | | | | | | |
|------------|----------|--------|--|----|-------------|---|-------|---------------|
| | | | | | | 常州赛科为能源科技有限公司 Xecom Energy Technologies Ltd. | | |
| 标记 | 处数 | 视图 | ECN代码 | 签字 | 日期 | 190外形图 (XR) | | |
| 赛科为图纸通用标准 | | | | | | 版本标记 | 重量 | 比例 |
| ASME.Y14.5 | | 20°C测量 | | 校对 | | 0 | 0,333 | |
| 第三 视角 | 默认 公差 | | X ±0.4 X.X ±0.15 X.XX ±0.15 角尺: ±0.5° | 批准 | 共 1 张 第 1 张 | | | 801-0003-02EN |

SEE DETAIL FOOT

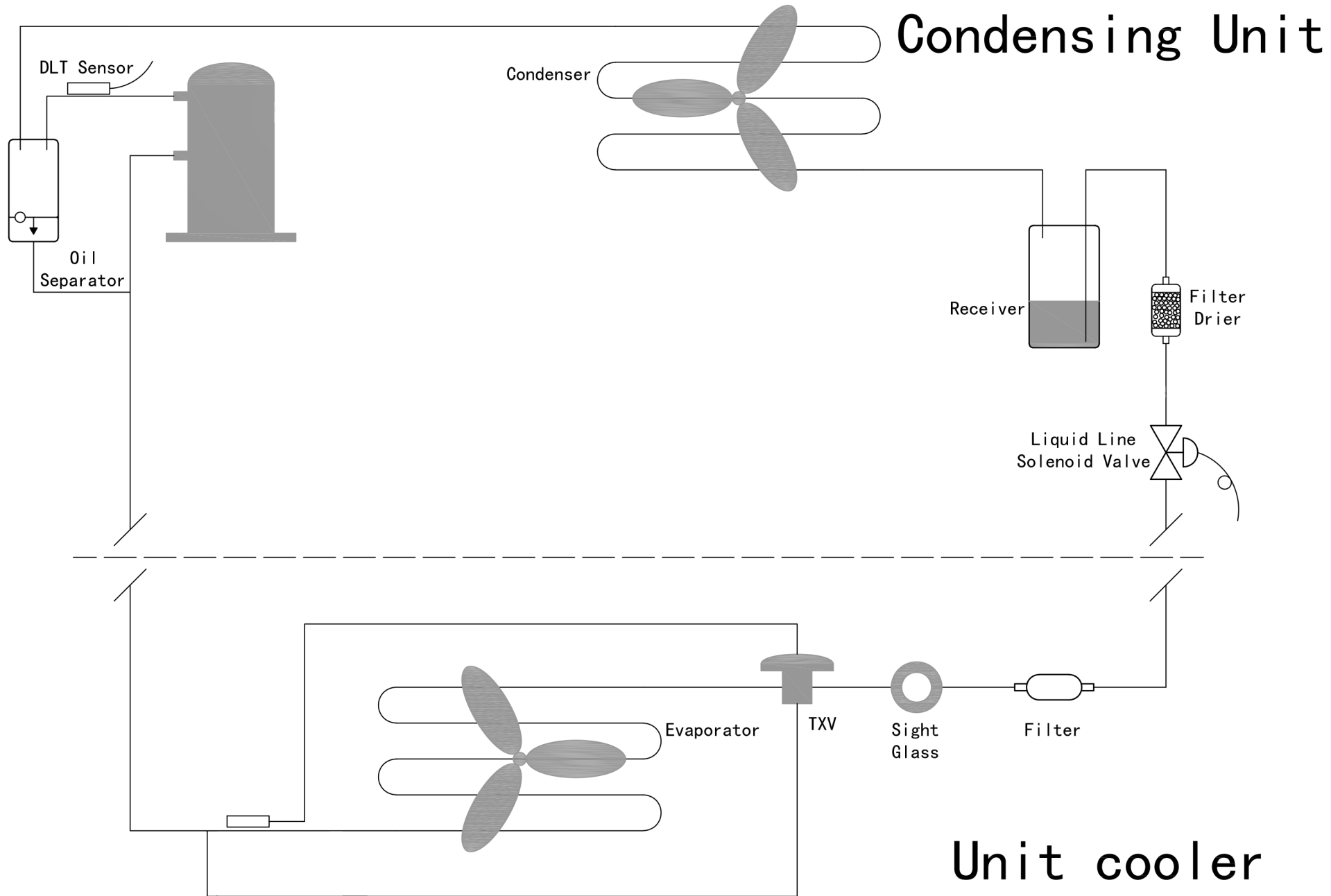


Electrical Schematics




L1/L2/L3/N/PE: 3 Phase Lines(line/neutral/ground)

- Q1: Manual Switch
- F1/F6...8: Fuse
- K1: Compressor Contactor
- M: Compressor Motor
- T1/T2/T3: Compressor Terminal

General System Schematic







附件列表
Accessories List

| Part N.O. | Specification | Qty | Part Name | Picture | Type | Description |
|-------------|---------------|------------------|-----------|---------|----------|--|
| 019-0002-00 | 11.1*29.5 | Sleeve Spacer | | 4 | Standard |  |
| 200-0001-00 | | Rubber | | 4 | Standard |  |
| 100-0006-00 | M5x8,GB/T5789 | Bolt | | 7 | Standard |  |



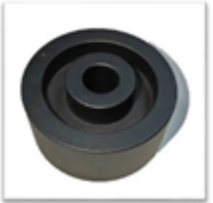
附件列表
Accessories List

| | | | | | | |
|-------------|------------------------------|------------------------|--|---|----------|---|
| 034-0003-03 | | Sound Jacket | | 1 | Optional |  |
| 028-0003-00 | 197 外壳 90W 220V, 长度 618.6 | Crank Heater | | 1 | Optional |  |
| 017-0001-00 | | Terminal Box | | 1 | Standard |  |
| 009-0025-00 | | Terminal Cover Seal | | 1 | Standard |  |
| 009-0023-00 | | Terminal Seal | | 1 | Standard |  |

附件列表
Accessories List

| | | | | | | |
|-------------|-----------------------|-----------------------|--|---|----------|---|
| 016-0003-00 | | T-Box | | 1 | Standard |  |
| 017-0002-00 | | Terninal Cover | | 1 | Standard |  |
| 031-0015-00 | | Oil Adapter | | 1 | Optional |  |
| 033-0005-00 | OUT580R/GOA114 | Oil Regulator | | 1 | Optional |  |
| 031-0017-00 | 螺纹 1-1/4"- 12UNF-A | RotoLock Connector | | 1 | Optional |  |

附件列表
Accessories List

| | | | | | | |
|-------------|-----------------------|-----------------------|--|---|----------|---|
| 031-0018-00 | 1 3/4-12UNF 2A 螺纹口 | RotoLock Connector | | 1 | Optional |  |
| 030-0000-00 | 1-1/4"-12UNF | Sight glasses | | 1 | Standard |  |
| 200-0002-00 | | Steel | | 4 | Optional |  |