

Technical Data Sheet

Compressor model **MS26TG_V**
 Voltage **200-220/230V 50/60Hz ~1**
 Refrigerant **R404A**

APPLICATION

COMPRESSOR

MOTOR

Application	High-Medium Back Pressure	Displacement	25,93 cm ³	Nominal Power	1 3/8 hp
Refrigerant	R404A	Diameter	39,98 mm	Voltage/Frequency	230V 60Hz
Evaporating Temp.	-25,0 °C to 10,0 °C	Stroke	20,65 mm	Voltage range	196-253 V
Expansion	Capillar/Valve	Net Weight	22,55 Kg	Type	CSR
Comp. Cooling	Fan cooled	Oil type	ISO VG 46 ESTER	Phase number	1 PH
Max. ambient temp.	43,0 °C	Oil charge	700 cm ³	Locked Rotor Amps (LRA)	43,00 A
				Max. Cont. Current (MCC)	13,00 A
				Main W. resist. at 25°C	1,20 Ω
				Start W. resist. at 25°C	3,93 Ω

NOMINAL PERFORMANCE

	ASHRAE	CECOMAF
Cooling Capacity	4.037 kCal/h	3.705 W
COP	2,37 W/W	1,93 W/W
EER	2,04 kCal/Wh	1,67 kCal/Wh
Input Power	1.980 W	1.919 W
Current	8,90 A	8,66 A

APPROVALS



TEST CYCLE CONDITIONS

	ASHRAE HMBP (D)	CECOMAF HMBP (C)
Evaporating temp. (T _e)	7,2 °C	5,0 °C
Condensing temp. (T _c)	55,0 °C	55,0 °C
Liquid temp. (T _{liq.})	46,0 °C	55,0 °C
Ambient temp. (T _{amb.})	35,0 °C	32,0 °C
Suction temp. (T _{suction})	35,0 °C	32,0 °C
Voltage/Frequency	230 V 60 Hz	230 V 60 Hz

ELECTRICAL COMPONENTS

Starting capacitor	88-108 µF 330 V		
Run capacitor	25 µF 420 V		
Relay	Option 1	Option 2	
Reference	3ARR3 10S3	RVA 3AG..	
Pick-Up	180-195 V	180-195 V	
Drop-Out	40-105 V	40-105 V	
Protector	Option 1	Option 2	
Reference	MRA38142	T0257	
Current	24,00 A	24,00 A	
Time check	7,5-14 seg	6,0-16 seg	
Disc temp. (Open/Close)	120,00 / 52,00 °C	120,00 / 52,00 °C	

ASHRAE

Tc °C	Te °C	Cooling Capacity kCal/h	Consumption W	Current A	COP W/W	EER kCal/Wh
40	-25	1.293	1.000	4,64	1,50	1,29
40	-20	1.733	1.106	5,15	1,82	1,57
40	-15	2.239	1.213	5,65	2,15	1,85
40	-10	2.809	1.322	6,15	2,47	2,12
40	-5	3.444	1.433	6,65	2,80	2,40
40	0	4.143	1.545	7,13	3,12	2,68
40	5	4.907	1.659	7,62	3,44	2,96
40	7,2	5.264	1.710	7,83	3,58	3,08
40	10	5.736	1.775	8,09	3,76	3,23

45	-25	1.123	970	4,50	1,35	1,16
45	-20	1.527	1.094	5,09	1,62	1,40
45	-15	1.995	1.220	5,69	1,90	1,63
45	-10	2.528	1.348	6,27	2,18	1,88
45	-5	3.126	1.478	6,84	2,46	2,12
45	0	3.788	1.609	7,40	2,74	2,35
45	5	4.515	1.741	7,95	3,02	2,59
45	7,2	4.855	1.800	8,19	3,14	2,70
45	10	5.306	1.875	8,49	3,29	2,83

50	-25	953	940	4,35	1,18	1,01
50	-20	1.320	1.083	5,04	1,42	1,22
50	-15	1.751	1.228	5,72	1,66	1,43
50	-10	2.247	1.374	6,38	1,90	1,64
50	-5	2.807	1.522	7,03	2,15	1,84
50	0	3.432	1.672	7,67	2,39	2,05
50	5	4.122	1.823	8,28	2,63	2,26
50	7,2	4.446	1.890	8,55	2,74	2,35
50	10	4.876	1.976	8,88	2,87	2,47

55	-25	784	910	4,20	1,00	0,86
55	-20	1.113	1.072	4,99	1,21	1,04
55	-15	1.507	1.235	5,75	1,42	1,22
55	-10	1.966	1.400	6,50	1,63	1,40
55	-5	2.489	1.567	7,23	1,85	1,59
55	0	3.077	1.735	7,93	2,06	1,77
55	5	3.729	1.905	8,61	2,28	1,96
55	7,2	4.037	1.980	8,90	2,37	2,04
55	10	4.446	2.076	9,26	2,49	2,14

60	-25	615	880	4,05	0,81	0,70
60	-20	907	1.060	4,93	0,99	0,86
60	-15	1.264	1.242	5,79	1,18	1,02
60	-10	1.685	1.426	6,61	1,37	1,18
60	-5	2.171	1.611	7,41	1,57	1,35
60	0	2.722	1.798	8,18	1,76	1,51
60	5	3.337	1.987	8,93	1,95	1,68
60	7,2	3.628	2.070	9,24	2,04	1,75
60	10	4.017	2.177	9,63	2,15	1,85

CECOMAF

Tc °C	Te °C	Cooling Capacity W	Consumption W	Current A	COP W/W	EER kCal/Wh
40	-25	1.352	1.006	4,67	1,34	1,16
40	-20	1.825	1.112	5,18	1,64	1,42
40	-15	2.361	1.220	5,69	1,93	1,67
40	-10	2.959	1.330	6,19	2,22	1,92
40	-5	3.621	1.442	6,69	2,51	2,17
40	0	4.344	1.556	7,18	2,79	2,41
40	5	5.131	1.672	7,67	3,07	2,65
40	7,2	5.497	1.723	7,88	3,19	2,76
40	10	5.980	1.789	8,15	3,34	2,89

45	-25	1.163	975	4,52	1,19	1,03
45	-20	1.588	1.101	5,12	1,44	1,25
45	-15	2.077	1.228	5,72	1,69	1,46
45	-10	2.627	1.356	6,31	1,94	1,67
45	-5	3.241	1.487	6,88	2,18	1,88
45	0	3.917	1.620	7,45	2,42	2,09
45	5	4.655	1.754	8,01	2,65	2,29
45	7,2	5.000	1.814	8,25	2,76	2,38
45	10	5.457	1.890	8,55	2,89	2,49

50	-25	974	945	4,37	1,03	0,89
50	-20	1.352	1.089	5,07	1,24	1,07
50	-15	1.792	1.235	5,75	1,45	1,25
50	-10	2.295	1.383	6,42	1,66	1,43
50	-5	2.861	1.532	7,08	1,87	1,61
50	0	3.489	1.683	7,72	2,07	1,79
50	5	4.180	1.837	8,34	2,28	1,97
50	7,2	4.504	1.905	8,61	2,36	2,04
50	10	4.934	1.992	8,94	2,48	2,14

55	-25	785	915	4,23	0,86	0,74
55	-20	1.115	1.078	5,02	1,03	0,89
55	-15	1.508	1.242	5,79	1,21	1,05
55	-10	1.963	1.409	6,54	1,39	1,20
55	-5	2.481	1.577	7,27	1,57	1,36
55	0	3.062	1.747	7,98	1,75	1,51
55	5	3.705	1.919	8,66	1,93	1,67
55	7,2	4.008	1.995	8,96	2,01	1,74
55	10	4.411	2.093	9,33	2,11	1,82

60	-25	597	885	4,08	0,67	0,58
60	-20	879	1.066	4,96	0,82	0,71
60	-15	1.224	1.250	5,82	0,98	0,85
60	-10	1.631	1.435	6,65	1,14	0,98
60	-5	2.102	1.622	7,46	1,30	1,12
60	0	2.634	1.811	8,24	1,45	1,26
60	5	3.230	2.001	8,98	1,61	1,39
60	7,2	3.512	2.086	9,30	1,68	1,45
60	10	3.888	2.194	9,70	1,77	1,53

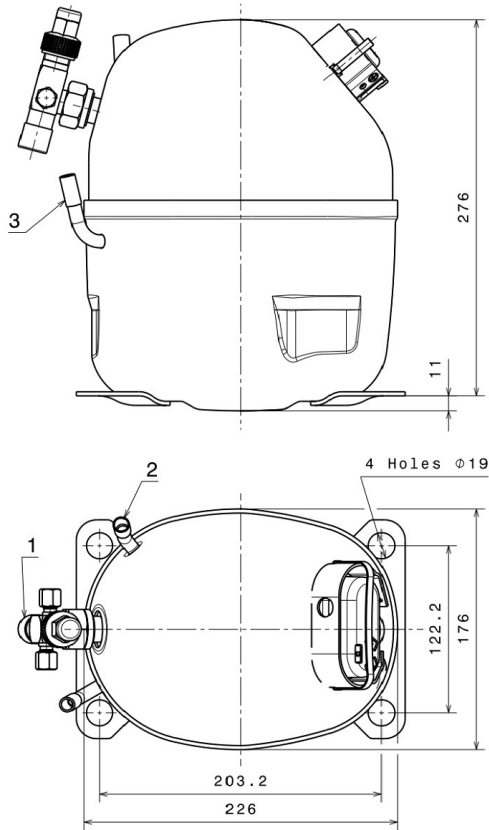
EN12900

X	Cooling Capacity (W)	Consumption (W)	Current (A)	Mass Flow (kg/h)
1	7.756,1576612626	1.076,1146741488	5,4832167894	156,20817621465
2	227,7544112728	-6,5689856805	-0,0299531669	5,0507100164835
3	-88,2069526222	13,1843841429	0,0492831263	-0,89553449390073
4	1,1847091337	0,0583732682	-0,0003802630	0,055855483948609
5	-2,0322588573	0,7745023223	0,0031793529	-0,0073012418986255

Equation	$x_1 + x_2Te + x_3Tc + x_4Te^2 + x_5TeTc$
----------	---

Technical Data Sheet

COMPRESSOR DIMENSIONS

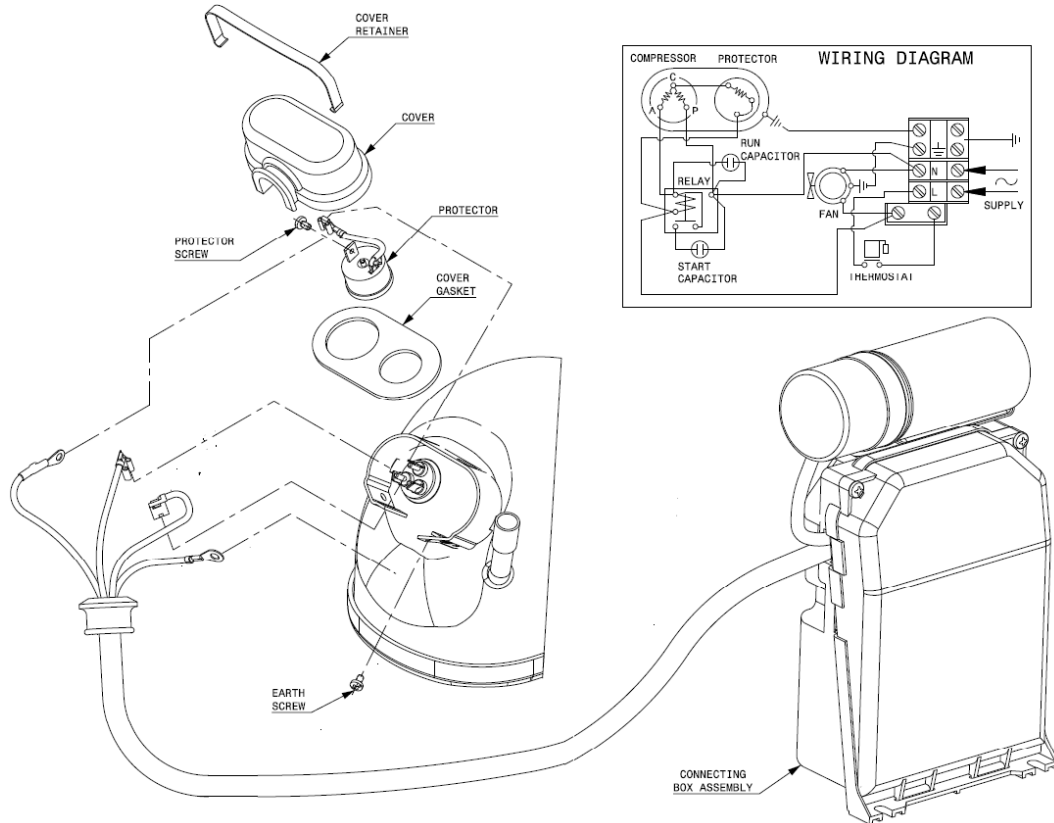


DESIGNATION INTERNAL DIAM.

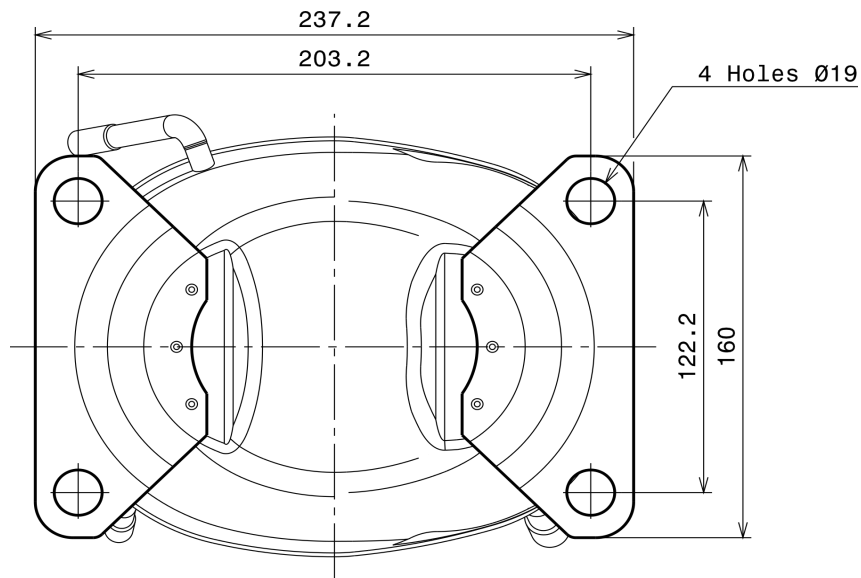
1	Service Valve	5/8" SAE
2	Service	9,7 mm
3	Discharge	8,0 mm

WIRING DIAGRAMS AND ELECTRICAL ASSEMBLY

CSR CONNECTION (EXTERNAL CONNECTING BOX) (NS Range)



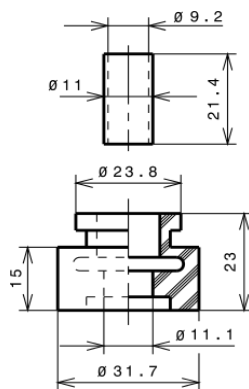
FIXINGS



SILENT BLOCKS (MOUNTING ACCESSORIES)

STANDARD

$\varnothing 19$ holes (203.2x122.2 net)



SOA

SOA R404A HMBP

