

Technical Data Sheet

Compressor model **GLY12NRb**
 Voltage **115-127V 60Hz ~1**
 Refrigerant **R134a**

APPLICATION

COMPRESSOR

MOTOR

Application	Low-Medium Back Pressure	Displacement	10,70 cm ³	Nominal Power	3/8 hp
Refrigerant	R134a	Diameter	25,40 mm	Voltage/Frequency	115-127V 60Hz
Evaporating Temp.	-35,0 °C to 0,0 °C	Stroke	21,11 mm	Voltage range	98-140 V
Expansion	Capillar/Valve	Net Weight	10,65 Kg	Type	CSR
Comp. Cooling	Fan cooled	Oil type	ISO VG 32 ESTER	Phase number	1 PH
Max. ambient temp.	43,0 °C	Oil charge	345 cm ³	Locked Rotor Amps (LRA)	29,00 A
Compatible refriger.	R1234yf			Max. Cont. Current (MCC)	7,00 A
				Main W. resist. at 25°C	1,60 Ω
				Start W. resist. at 25°C	5,45 Ω

NOMINAL PERFORMANCE

	ASHRAE	CECOMAF
Cooling Capacity	275 kCal/h	233 W
COP	1,39 W/W	1,07 W/W
EER	1,20 kCal/Wh	0,92 kCal/Wh
Input Power	230 W	218 W
Current	2,44 A	2,35 A

APPROVALS



TEST CYCLE CONDITIONS

	ASHRAE LMBP (B)	CECOMAF LMBP (A)
Evaporating temp. (T _e)	-23,3 °C	-25,0 °C
Condensing temp. (T _c)	55,0 °C	55,0 °C
Liquid temp. (T _{liq.})	32,0 °C	55,0 °C
Ambient temp. (T _{amb.})	32,0 °C	32,0 °C
Suction temp. (T _{suction})	32,0 °C	32,0 °C
Voltage/Frequency	115 V 60 Hz	115 V 60 Hz

ELECTRICAL COMPONENTS

Starting capacitor	250 µF 160 V		
Run capacitor	15 µF 250 V		
Relay	Option 1	Option 2	
Reference	2014 170. + NTC3Ω	QLZ-12.1 + NTC3Ω	
Pick-Up	12,10 A	12.1 A	
Drop-Out	10,30 A	10.3 A	
Protector	Option 1		
Reference	T0260		
Current	22,00 A		
Time check	7,5-14 seg		
Disc temp. (Open/Close)	105,00 / 52,00 °C		

ASHRAE

Tc °C	Te °C	Cooling Capacity kCal/h	Consumption W	Current A	COP W/W	EER kCal/Wh
40	-35	163	171	1,99	1,11	0,95
40	-30	217	189	2,13	1,33	1,15
40	-25	289	211	2,29	1,60	1,37
40	-23,3	318	219	2,35	1,69	1,45
40	-20	381	236	2,48	1,88	1,61
40	-15	490	264	2,71	2,16	1,86
40	-10	619	296	2,96	2,43	2,09
40	-5	766	331	3,25	2,69	2,32
40	0	931	369	3,58	2,93	2,52

45	-35	151	167	1,96	1,05	0,90
45	-30	204	188	2,12	1,26	1,08
45	-25	275	213	2,31	1,50	1,29
45	-23,3	304	223	2,38	1,59	1,37
45	-20	366	242	2,53	1,76	1,51
45	-15	474	273	2,78	2,02	1,73
45	-10	602	308	3,07	2,27	1,95
45	-5	748	347	3,39	2,51	2,16
45	0	912	389	3,75	2,73	2,35

50	-35	138	162	1,93	0,99	0,85
50	-30	190	187	2,12	1,18	1,02
50	-25	261	216	2,33	1,41	1,21
50	-23,3	289	226	2,41	1,49	1,28
50	-20	350	248	2,58	1,65	1,42
50	-15	458	283	2,86	1,89	1,62
50	-10	585	321	3,17	2,12	1,82
50	-5	730	363	3,53	2,34	2,01
50	0	894	408	3,92	2,55	2,19

55	-35	126	158	1,90	0,93	0,80
55	-30	177	187	2,11	1,11	0,95
55	-25	247	218	2,35	1,32	1,13
55	-23,3	275	230	2,44	1,39	1,20
55	-20	335	254	2,62	1,54	1,32
55	-15	442	292	2,93	1,76	1,51
55	-10	568	334	3,28	1,98	1,70
55	-5	712	379	3,67	2,18	1,88
55	0	875	428	4,10	2,38	2,04

60	-35	114	154	1,87	0,86	0,74
60	-30	164	186	2,10	1,03	0,88
60	-25	233	221	2,37	1,23	1,05
60	-23,3	261	234	2,47	1,30	1,11
60	-20	320	260	2,67	1,44	1,23
60	-15	426	302	3,01	1,64	1,41
60	-10	551	347	3,39	1,85	1,59
60	-5	694	396	3,81	2,04	1,76
60	0	856	448	4,28	2,22	1,91

65	-35	101	149	1,84	0,79	0,68
65	-30	151	185	2,10	0,95	0,82
65	-25	219	223	2,39	1,14	0,98
65	-23,3	246	237	2,50	1,21	1,04
65	-20	305	266	2,72	1,34	1,15
65	-15	411	311	3,09	1,54	1,32
65	-10	534	360	3,50	1,73	1,49
65	-5	677	412	3,96	1,91	1,64
65	0	838	467	4,46	2,08	1,79

CECOMAF

Tc °C	Te °C	Cooling Capacity W	Consumption W	Current A	COP W/W	EER kCal/Wh
40	-35	178	171	1,99	1,04	0,90
40	-30	245	189	2,13	1,29	1,12
40	-25	329	211	2,29	1,56	1,35
40	-23,3	362	219	2,35	1,65	1,43
40	-20	431	236	2,48	1,83	1,58
40	-15	551	264	2,71	2,09	1,80
40	-10	687	296	2,96	2,32	2,01
40	-5	841	331	3,25	2,54	2,20
40	0	1.013	369	3,58	2,74	2,37

45	-35	158	167	1,96	0,95	0,82
45	-30	219	188	2,12	1,16	1,00
45	-25	297	213	2,31	1,39	1,20
45	-23,3	328	223	2,38	1,47	1,27
45	-20	393	242	2,53	1,63	1,40
45	-15	506	273	2,78	1,85	1,60
45	-10	637	308	3,07	2,06	1,78
45	-5	784	347	3,39	2,26	1,95
45	0	950	389	3,75	2,44	2,11

50	-35	139	162	1,93	0,85	0,74
50	-30	193	187	2,12	1,03	0,89
50	-25	265	216	2,33	1,23	1,06
50	-23,3	294	226	2,41	1,30	1,12
50	-20	355	248	2,58	1,43	1,24
50	-15	462	283	2,86	1,63	1,41
50	-10	586	321	3,17	1,82	1,58
50	-5	727	363	3,53	2,00	1,73
50	0	886	408	3,92	2,17	1,88

55	-35	119	158	1,90	0,75	0,65
55	-30	168	187	2,11	0,90	0,78
55	-25	233	218	2,35	1,07	0,92
55	-23,3	260	230	2,44	1,13	0,98
55	-20	317	254	2,62	1,25	1,08
55	-15	417	292	2,93	1,43	1,23
55	-10	535	334	3,28	1,60	1,38
55	-5	670	379	3,67	1,77	1,53
55	0	823	428	4,10	1,92	1,66

60	-35	100	154	1,87	0,65	0,56
60	-30	142	186	2,10	0,76	0,66
60	-25	201	221	2,37	0,91	0,79
60	-23,3	226	234	2,47	0,97	0,83
60	-20	278	260	2,67	1,07	0,93
60	-15	373	302	3,01	1,24	1,07
60	-10	484	347	3,39	1,40	1,21
60	-5	614	396	3,81	1,55	1,34
60	0	760	448	4,28	1,70	1,47

65	-35	80	149	1,84	0,54	0,46
65	-30	116	185	2,10	0,63	0,54
65	-25	169	223	2,39	0,76	0,66
65	-23,3	192	237	2,50	0,81	0,70
65	-20	240	266	2,72	0,90	0,78
65	-15	328	311	3,09	1,06	0,91
65	-10	434	360	3,50	1,21	1,04
65	-5	557	412	3,96	1,35	1,17
65	0	697	467	4,46	1,49	1,29

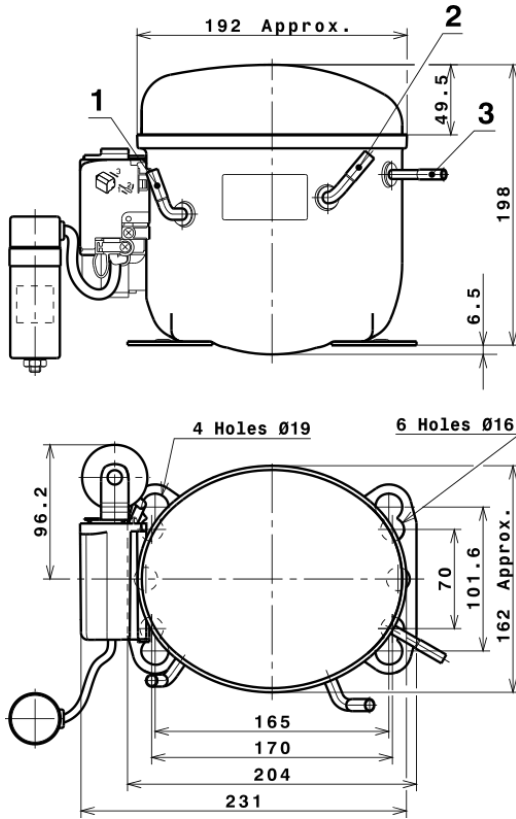
EN12900

X	Cooling Capacity (W)	Consumption (W)	Current (A)	Mass Flow (kg/h)
1	1.519,1877355094	217,1335059375	2,2237636224	26,071783636067
2	45,8627780708	2,6509750270	0,0247425893	0,89634856206675
3	-13,0240925598	4,0349218426	0,0359359606	-0,090230912813611
4	0,3399807975	0,0699915971	0,0007541679	0,0093288022960986
5	-0,2606737848	0,1405778375	0,0012121499	-0,00092732859612747

Equation	$x_1 + x_2Te + x_3Tc + x_4Te^2 + x_5TeTc$
----------	---

Technical Data Sheet

COMPRESSOR DIMENSIONS

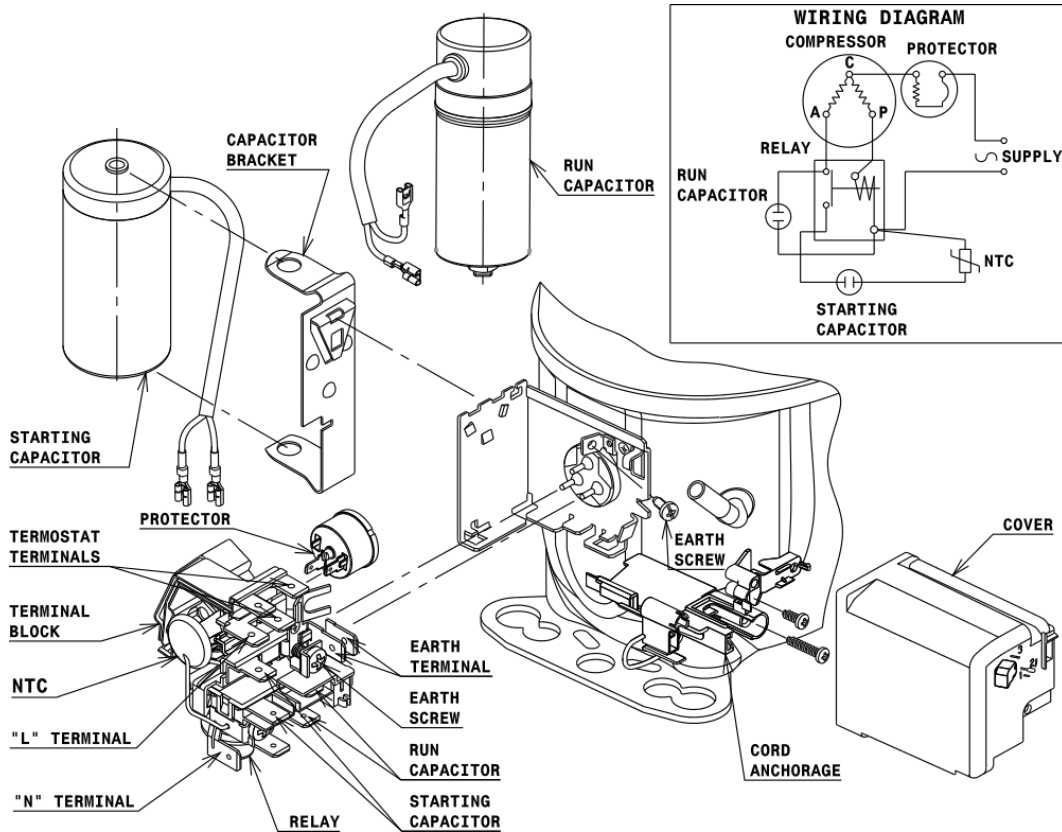


DESIGNATION INTERNAL DIAM.

1	Suction	8,1 mm
2	Service	8,1 mm
3	Discharge	6,5 mm

WIRING DIAGRAMS AND ELECTRICAL ASSEMBLY

CSR CONNECTION (CURRENT RELAY + NTC) (L, P ranges)



Technical Data Sheet

FIXINGS



SILENT BLOCKS (MOUNTING ACCESSORIES)

STANDARD

Ø16 holes (170x70 net)



AMERICAN FEET

Ø19 holes (165x101.6 net)



SNAP-ON

Ø16 holes (170x70 net)



SOA

SOA R134a LMBP

