

Technical Data Sheet

Compressor model **GUY70NRc**
 Voltage **115-127V 60Hz ~1**
 Refrigerant **R134a**

APPLICATION

COMPRESSOR

MOTOR

Application	Low-Medium Back Pressure	Displacement	6,70 cm ³	Nominal Power	1/5 hp
Refrigerant	R134a	Diameter	21,99 mm	Voltage/Frequency	115-127V 60Hz
Evaporating Temp.	-35,0 °C to 0,0 °C	Stroke	17,50 mm	Voltage range	98-140 V
Expansion	Capillar	Net Weight	9,00 Kg	Type	CSIR
Comp. Cooling	Static	Oil type	ISO VG 10 ESTER	Phase number	1 PH
Max. ambient temp.	43,0 °C	Oil charge	200 cm ³	Locked Rotor Amps (LRA)	21,40 A
Compatible refriger.	R1234yf			Max. Cont. Current (MCC)	4,20 A
				Main W. resist. at 25°C	2,65 Ω
				Start W. resist. at 25°C	14,90 Ω

NOMINAL PERFORMANCE

APPROVALS

	ASHRAE	CECOMAF
Cooling Capacity	198 kCal/h	168 W
COP	1,50 W/W	1,15 W/W
EER	1,29 kCal/Wh	0,99 kCal/Wh
Input Power	154 W	146 W
Current	2,22 A	2,18 A



TEST CYCLE CONDITIONS

	ASHRAE LMBP (B)	CECOMAF LMBP (A)
Evaporating temp. (T _e)	-23,3 °C	-25,0 °C
Condensing temp. (T _c)	55,0 °C	55,0 °C
Liquid temp. (T _{liq.})	32,0 °C	55,0 °C
Ambient temp. (T _{amb.})	32,0 °C	32,0 °C
Suction temp. (T _{suction})	32,0 °C	32,0 °C
Voltage/Frequency	115 V 60 Hz	115 V 60 Hz

ELECTRICAL COMPONENTS

Starting capacitor	125 µF 160 V			
Relay	Option 1	Option 2		
Reference	2014 166.	QLZ-11.0A		
Pick-Up	11,00 A	11.0 A		
Drop-Out	9,35 A	9.35 A		
Protector	Option 1			
Reference	T0268			
Current	15,00 A			
Time check	7,5-14 seg			
Disc temp. (Open/Close)	105,00 / 52,00 °C			

ASHRAE

Tc °C	Te °C	Cooling Capacity kCal/h	Consumption W	Current A	COP W/W	EER kCal/Wh
40	-35	114	108	1,98	1,23	1,06
40	-30	152	121	2,05	1,46	1,25
40	-25	203	136	2,12	1,74	1,49
40	-23,3	224	142	2,15	1,84	1,58
40	-20	268	154	2,22	2,03	1,75
40	-15	347	173	2,33	2,33	2,01
40	-10	439	194	2,46	2,63	2,26
40	-5	545	218	2,62	2,91	2,50
40	0	664	243	2,80	3,18	2,73

45	-35	106	107	1,98	1,16	0,99
45	-30	144	122	2,05	1,37	1,18
45	-25	195	140	2,14	1,62	1,40
45	-23,3	215	146	2,18	1,72	1,48
45	-20	259	159	2,25	1,90	1,63
45	-15	338	180	2,38	2,18	1,87
45	-10	429	204	2,53	2,45	2,11
45	-5	535	229	2,70	2,71	2,33
45	0	653	257	2,91	2,96	2,54

50	-35	99	106	1,97	1,08	0,93
50	-30	136	123	2,06	1,28	1,10
50	-25	186	143	2,16	1,52	1,30
50	-23,3	207	150	2,20	1,60	1,38
50	-20	251	164	2,28	1,77	1,52
50	-15	328	188	2,42	2,03	1,75
50	-10	420	214	2,59	2,28	1,96
50	-5	524	241	2,79	2,53	2,17
50	0	643	271	3,02	2,76	2,37

55	-35	91	105	1,97	1,01	0,87
55	-30	128	125	2,06	1,19	1,02
55	-25	178	146	2,18	1,41	1,22
55	-23,3	198	154	2,22	1,50	1,29
55	-20	242	170	2,31	1,65	1,42
55	-15	319	196	2,47	1,90	1,63
55	-10	410	223	2,66	2,13	1,83
55	-5	514	253	2,88	2,36	2,03
55	0	632	285	3,13	2,58	2,22

60	-35	83	104	1,97	0,93	0,80
60	-30	120	126	2,07	1,11	0,95
60	-25	169	149	2,19	1,32	1,13
60	-23,3	189	158	2,24	1,39	1,20
60	-20	233	175	2,34	1,54	1,33
60	-15	309	203	2,52	1,77	1,52
60	-10	400	233	2,73	2,00	1,72
60	-5	504	265	2,97	2,21	1,90
60	0	621	299	3,25	2,42	2,08

65	-35	76	103	1,96	0,85	0,73
65	-30	111	127	2,08	1,02	0,88
65	-25	161	153	2,21	1,22	1,05
65	-23,3	181	162	2,27	1,30	1,11
65	-20	224	181	2,38	1,44	1,24
65	-15	300	211	2,57	1,66	1,42
65	-10	390	243	2,80	1,87	1,61
65	-5	494	277	3,06	2,07	1,78
65	0	611	313	3,37	2,27	1,95

CECOMAF

Tc °C	Te °C	Cooling Capacity W	Consumption W	Current A	COP W/W	EER kCal/Wh
40	-35	124	108	1,98	1,15	0,99
40	-30	172	121	2,05	1,42	1,22
40	-25	232	136	2,12	1,70	1,47
40	-23,3	255	142	2,15	1,80	1,55
40	-20	305	154	2,22	1,98	1,71
40	-15	390	173	2,33	2,26	1,95
40	-10	488	194	2,46	2,51	2,17
40	-5	599	218	2,62	2,75	2,38
40	0	722	243	2,80	2,97	2,57

45	-35	111	107	1,98	1,04	0,90
45	-30	155	122	2,05	1,26	1,09
45	-25	211	140	2,14	1,51	1,30
45	-23,3	232	146	2,18	1,59	1,38
45	-20	279	159	2,25	1,76	1,52
45	-15	360	180	2,38	2,00	1,73
45	-10	454	204	2,53	2,23	1,92
45	-5	561	229	2,70	2,44	2,11
45	0	680	257	2,91	2,64	2,29

50	-35	99	106	1,97	0,93	0,80
50	-30	138	123	2,06	1,12	0,96
50	-25	189	143	2,16	1,32	1,14
50	-23,3	210	150	2,20	1,40	1,21
50	-20	254	164	2,28	1,54	1,33
50	-15	330	188	2,42	1,76	1,52
50	-10	420	214	2,59	1,97	1,70
50	-5	522	241	2,79	2,16	1,87
50	0	637	271	3,02	2,35	2,03

55	-35	86	105	1,97	0,82	0,71
55	-30	121	125	2,06	0,97	0,84
55	-25	168	146	2,18	1,15	0,99
55	-23,3	187	154	2,22	1,21	1,05
55	-20	228	170	2,31	1,34	1,16
55	-15	301	196	2,47	1,54	1,33
55	-10	386	223	2,66	1,73	1,49
55	-5	484	253	2,88	1,91	1,65
55	0	595	285	3,13	2,09	1,80

60	-35	73	104	1,97	0,71	0,61
60	-30	104	126	2,07	0,83	0,71
60	-25	147	149	2,19	0,98	0,85
60	-23,3	164	158	2,24	1,04	0,90
60	-20	203	175	2,34	1,16	1,00
60	-15	271	203	2,52	1,33	1,15
60	-10	352	233	2,73	1,51	1,30
60	-5	446	265	2,97	1,68	1,45
60	0	552	299	3,25	1,85	1,59

65	-35	61	103	1,96	0,59	0,51
65	-30	87	127	2,08	0,68	0,59
65	-25	126	153	2,21	0,82	0,71
65	-23,3	142	162	2,27	0,87	0,76
65	-20	177	181	2,38	0,98	0,85
65	-15	241	211	2,57	1,14	0,99
65	-10	318	243	2,80	1,31	1,13
65	-5	407	277	3,06	1,47	1,27
65	0	509	313	3,37	1,63	1,41

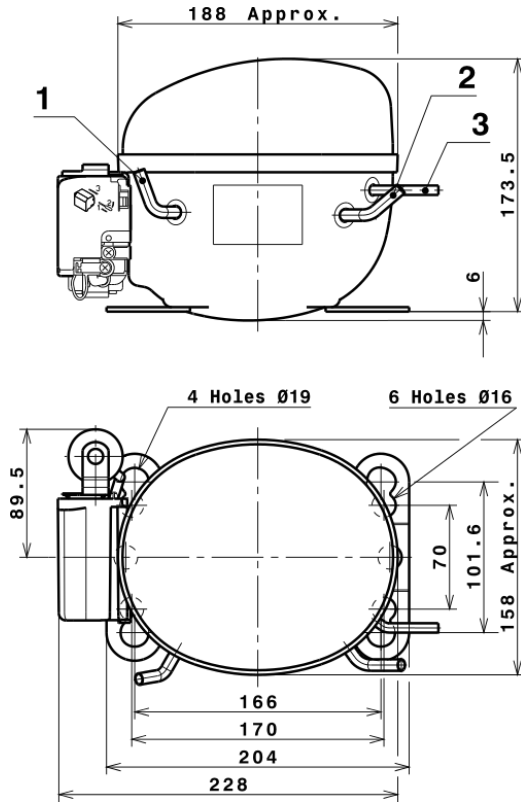
EN12900

X	Cooling Capacity (W)	Consumption (W)	Current (A)	Mass Flow (kg/h)
1	1.064,0749373984	134,3834139109	1,9280146156	18,083908595926
2	32,6686091221	1,9558299499	0,0157345712	0,63709224309384
3	-8,8032494288	2,8723172439	0,0229737194	-0,05158398530582
4	0,2476656306	0,0429101756	0,0005352598	0,0067919104485985
5	-0,1786225304	0,0879033661	0,0006836959	-0,00044765777875414

Equation	$x_1 + x_2Te + x_3Tc + x_4Te^2 + x_5TeTc$
----------	---

Technical Data Sheet

COMPRESSOR DIMENSIONS

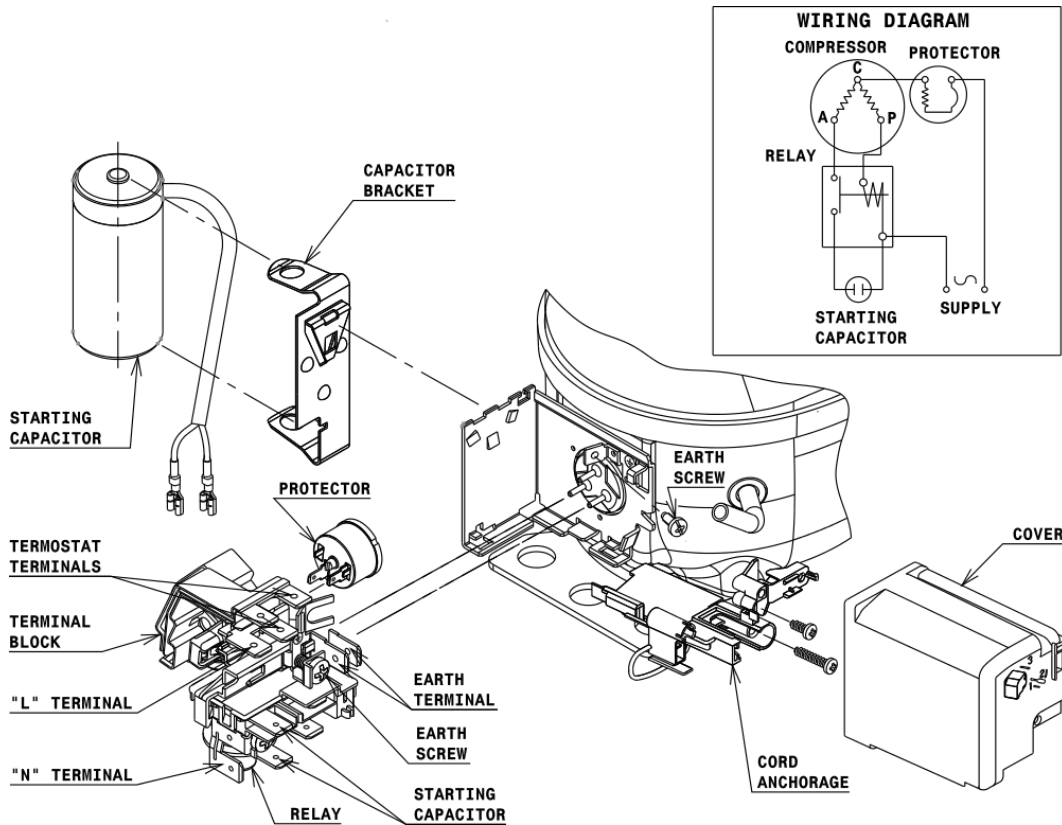


DESIGNATION INTERNAL DIAM.

DESIGNATION	INTERNAL DIAM.
1 Service	6,2 mm
2 Suction	6,2 mm
3 Discharge	4,9 mm

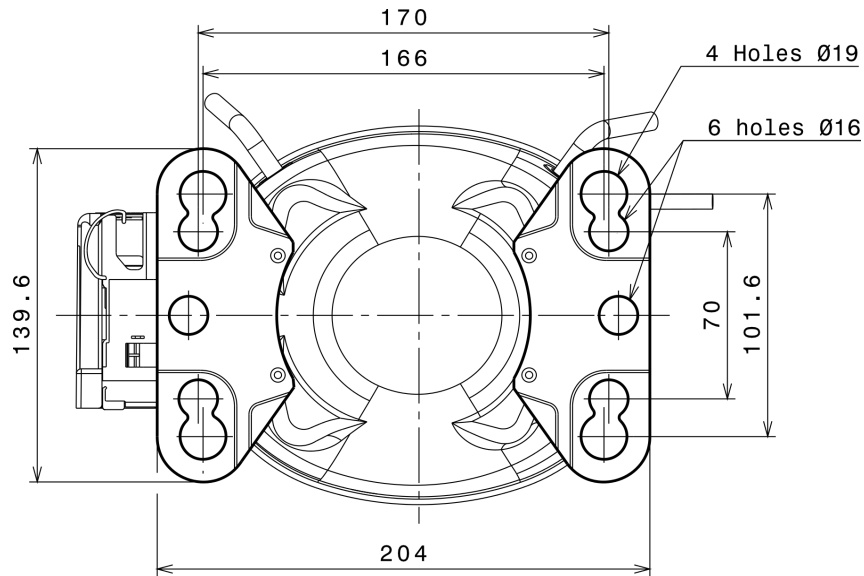
WIRING DIAGRAMS AND ELECTRICAL ASSEMBLY

CSIR CONNECTION (U range)



Technical Data Sheet

FIXINGS



SILENT BLOCKS (MOUNTING ACCESSORIES)

STANDARD

Ø16 holes (170x70 net)



AMERICAN FEET

Ø19 holes (166x101.6 net)



SNAP-ON

Ø16 holes (170x70 net)



SOA

SOA R134a LMBP

