

XA235A-D1-100 Technical Specifications

Contents

| | |
|-------------------------------------|---|
| 1 . Specifications..... | 1 |
| 2 . Configuration..... | 1 |
| 3 . Attachments..... | 2 |
| 4 . First Test Condition (°C) | 2 |
| 5 . Internal Protection Parts..... | 2 |
| 6. Performance Data | 3 |
| 7. Application Envelope | 4 |
| 8. Drawing..... | 5 |

1 . Specifications

| | | | |
|---|--|----------------------------------|-------|
| Model | XA235A-D1-100 | Power | 8HP |
| Displacement(m ³ /h) | 27.3 | Refrigerant | R22 |
| Cooling Cap.(W) ^(a) | 28813 | Input Power(W) ^(a) | 8395 |
| Rated Load Amps(A) ^(a) | 28.6 | COP ^(a) | 3.43 |
| Max. Vibration(mm) ^(a) | <0.10 | Sound Level (dBA) ^(a) | 78 |
| Test Power Source ^(a) | 60Hz-220V | Rated Speed (RPM) ^(a) | 3500 |
| Max. Moisture (mg) | < 500 | Max. Impurity (mg) | < 100 |
| Oil Circulation (%) ^(a) | <1% | Weight (kg, With Oil) | 53.0 |
| Electrical Specification | Power Source | 208V-230V/3Ph/60Hz | |
| | Run Capacitor | \ | |
| | Min. Operation Voltage(V) ^(b) | 187 | |
| | Max. Operation Voltage(V) | 253 | |
| | Min. Starting Voltage(V) ^(c) | 177 | |
| | Lock Rotor Amps(A) | 232.00 | |
| | Max. Operation Current ^(d) | 39.4 (A) | |
| | Motor Insulation Temp.(°C) | 130 | |
| Terminal Resistance (Ω) (± 10%) At 25 °C | T1(C)-T2(S) | 0.282 | |
| | T2(S)-T3(R) | 0.278 | |
| | T3(R)-T1(C) | 0.278 | |
| Lubrication | Oil Type | 3GS(32cSt) | |
| | Initial Charge(L) | 3.5 | |
| | Recharge(L) | 3 | |
| Electrical Safety | Insulation Voltage(V) | 2500 | |
| | Leakage Current(mA) | ≤5 | |
| | Insulation Resistance(MΩ) | >20 | |
| | Ground Resistance(Ω) | <0.1 | |
| Max. Operation Pressure | High Side(MPa) | 3.0 | |
| | Low Side(MPa) | 2.0 | |

Notes:

- a) Test Condition: Based On Test Power Voltage, First Rated Condition;
- b) Test Condition: ET 13°C, CT 65°C, SH 11.1K
- c) Test Condition: Discharge/Suction Pressure Set To Refrigeration Saturation Pressure At 40°C.
- d) Test Condition: ET 13°C, CT 65°C, SH11.1K, 90% Min. Rated Voltage;

2 . Configuration

| Suction/Discharge | Injection | Sight Glass | Thermal Tube |
|-------------------|-----------|-------------|--------------|
| Welded Fittings | NONE | NONE | NONE |

3 . Attachments

| Name | Part Number | Description | Qty. |
|----------------------|-------------|--------------------------------|------|
| Screws | 100-0006-00 | Flange Screw, M5x8,GB/T5789 | 7 |
| Mount Ground | 200-0001-00 | | 4 |
| Mount Sleeve | 019-0002-00 | | 4 |
| Terminal Cover | 017-0002-00 | | 1 |
| Terminal Fence | 017-0001-00 | | 1 |
| Terminal Cover Seal | 009-0025-00 | | 1 |
| Fusite Seal | 009-0023-00 | | 1 |
| DTC Valve | | | NONE |
| DTC Seal | | | NONE |
| Suction Valve Seal | | | NONE |
| Discharge Valve Seal | | | NONE |

4 . First Test Condition (°C)

Cooling Cap. and COP No Less Than **95%** of Nominal Value, Power and Current No More Than 105% of Nominal Value (Performance And Sound Power Need 24hrs Break In At High Load Running Condition)。

| Item | Parameter | Value |
|------|-------------------|-------|
| 1 | Evaporating Temp. | 7.2 |
| 2 | Condensing Temp. | 54.4 |
| 3 | Ambient Temp. | 35.0 |
| 4 | Super Heat | 11.1 |
| 5 | Sub Cooling | 8.3 |

5 . Internal Protection Parts

- a) Internal Motor Protector;
- b) Internal Pressure Release Valve, Open Range (Pressure Difference Between Discharge And Suction) : 2.76--3.10Mpa

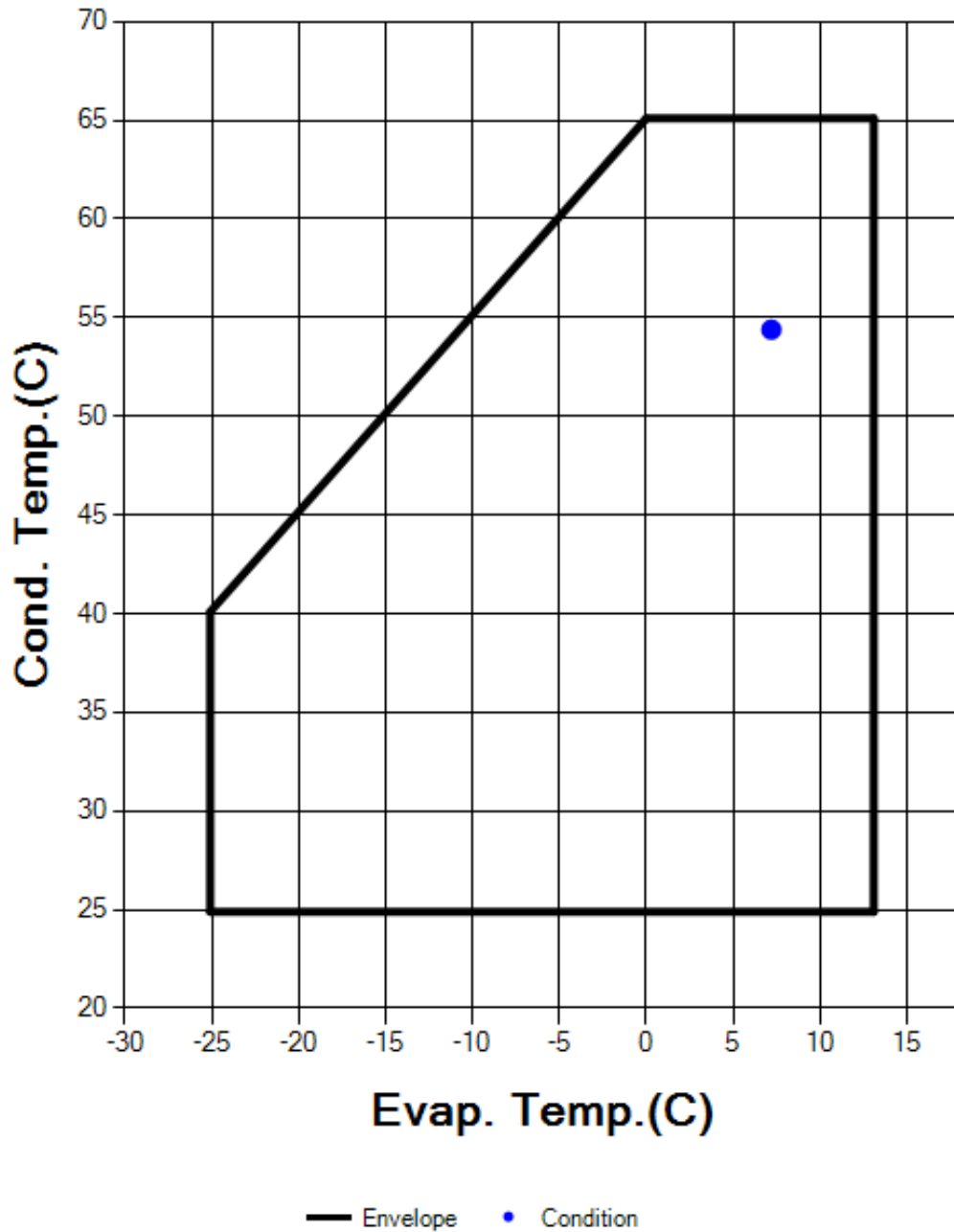
6. Performance Data

| kW | Temp. Cond.(°C) | Temp. Evap. (°C) | | | | | | | | |
|-----------------|--------------------|------------------|-------|-------|-------|-------|-------|-------|-------|-------|
| | | -25 | -20 | -15 | -10 | -5 | 0 | 5 | 10 | 13 |
| Cooling Cap. | 65 | | | | | | 19.17 | 23.19 | 27.77 | 30.83 |
| | 60 | | | | | 16.90 | 20.63 | 24.87 | 29.71 | 32.94 |
| | 55 | | | | 14.67 | 18.11 | 22.02 | 26.47 | 31.54 | 34.93 |
| | 50 | | | 12.53 | 15.67 | 19.26 | 23.34 | 27.98 | 33.27 | 36.82 |
| | 45 | | 10.51 | 13.36 | 16.62 | 20.35 | 24.59 | 29.41 | 34.91 | 38.60 |
| | 40 | 8.65 | 11.20 | 14.15 | 17.54 | 21.39 | 25.78 | 30.77 | 36.48 | 40.30 |
| | 35 | 9.22 | 11.86 | 14.91 | 18.41 | 22.40 | 26.92 | 32.07 | 37.97 | 41.93 |
| | 30 | 9.78 | 12.51 | 15.66 | 19.26 | 23.36 | 28.02 | 33.33 | 39.42 | 43.51 |
| | 25 | 10.33 | 13.14 | 16.38 | 20.09 | 24.31 | 29.10 | 34.56 | 40.83 | 45.06 |
| Input Power | 65 | | | | | | 10.56 | 10.56 | 10.57 | 10.60 |
| | 60 | | | | | 9.44 | 9.44 | 9.45 | 9.48 | 9.52 |
| | 55 | | | | 8.41 | 8.44 | 8.46 | 8.49 | 8.53 | 8.57 |
| | 50 | | | 7.46 | 7.53 | 7.57 | 7.60 | 7.64 | 7.70 | 7.75 |
| | 45 | | 6.57 | 6.68 | 6.75 | 6.81 | 6.85 | 6.90 | 6.96 | 7.02 |
| | 40 | 5.69 | 5.87 | 5.99 | 6.07 | 6.13 | 6.19 | 6.24 | 6.32 | 6.38 |
| | 35 | 5.07 | 5.25 | 5.38 | 5.47 | 5.54 | 5.60 | 5.66 | 5.74 | 5.80 |
| | 30 | 4.51 | 4.70 | 4.84 | 4.94 | 5.01 | 5.07 | 5.14 | 5.22 | 5.29 |
| | 25 | 4.01 | 4.21 | 4.35 | 4.45 | 4.52 | 4.59 | 4.66 | 4.74 | 4.81 |

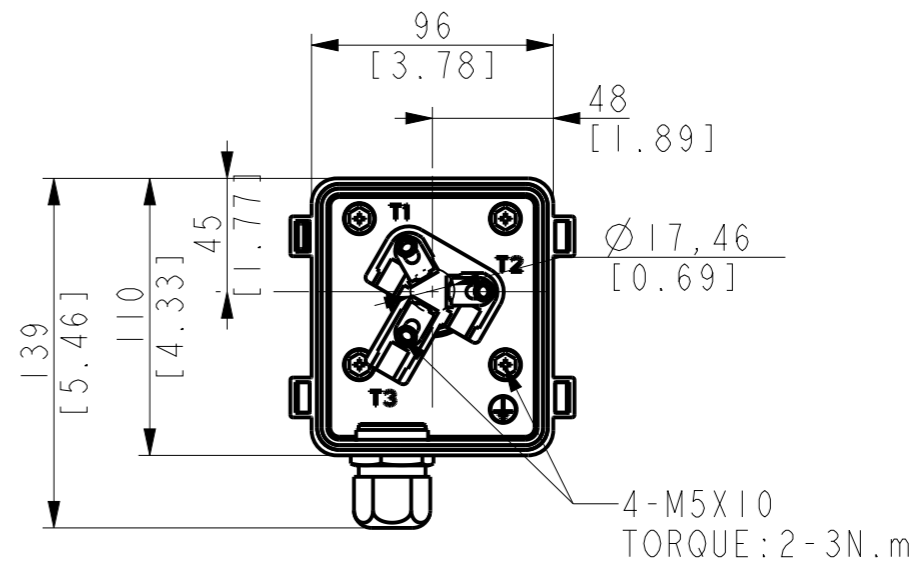
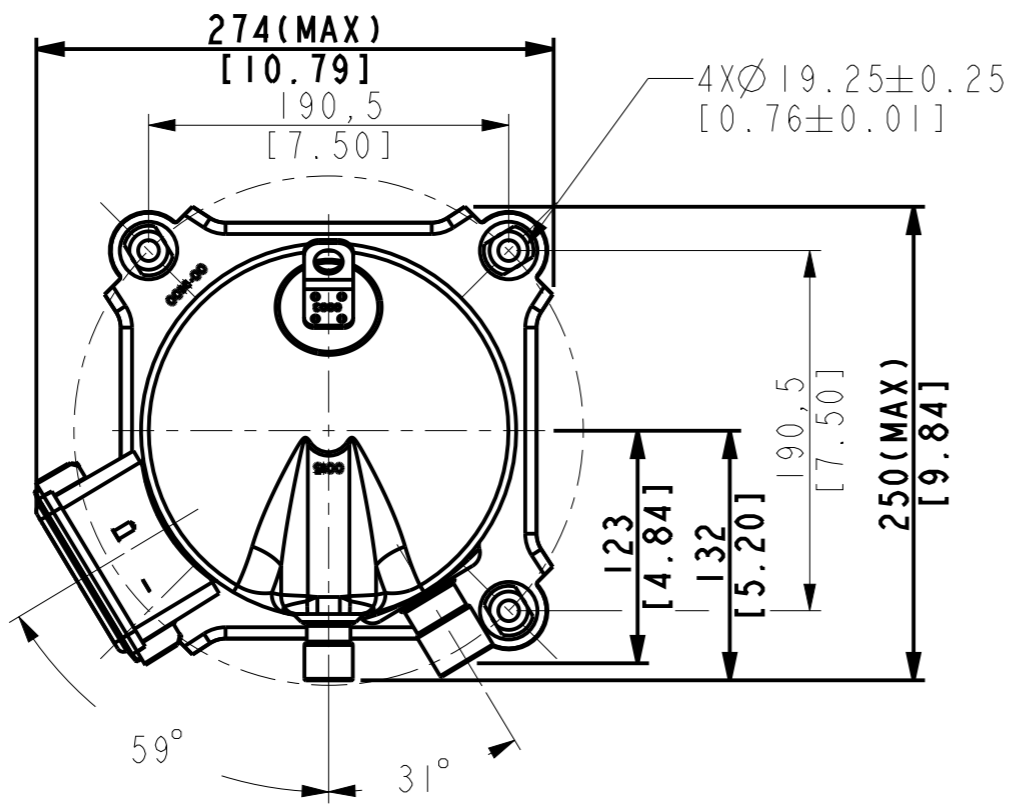
Notes: Capacity Calculation Based On SH=11.1K,SC=8.3K

7. Application Envelope

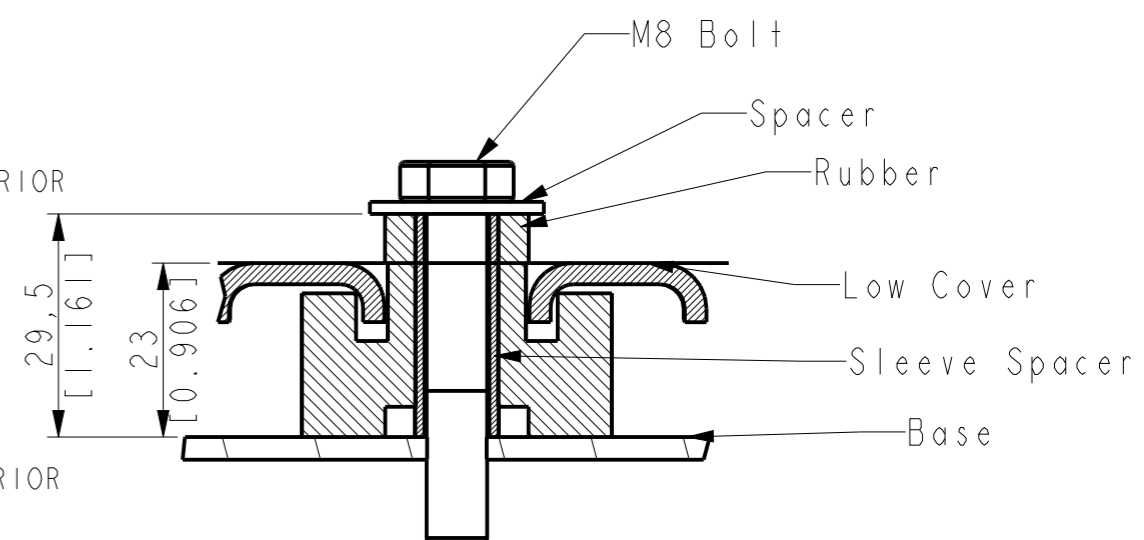
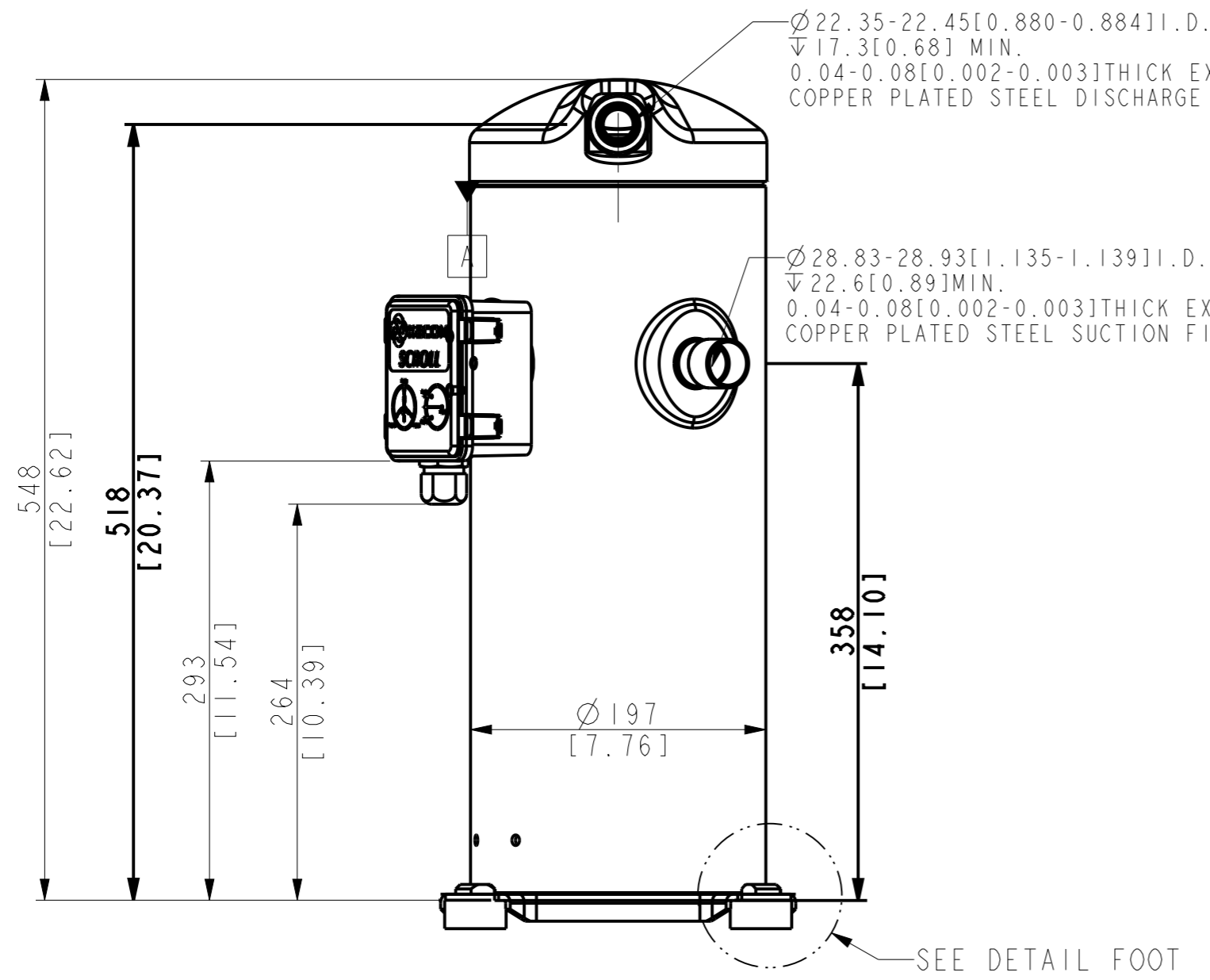
Envelope
XA235A-D1-100



8. Drawing



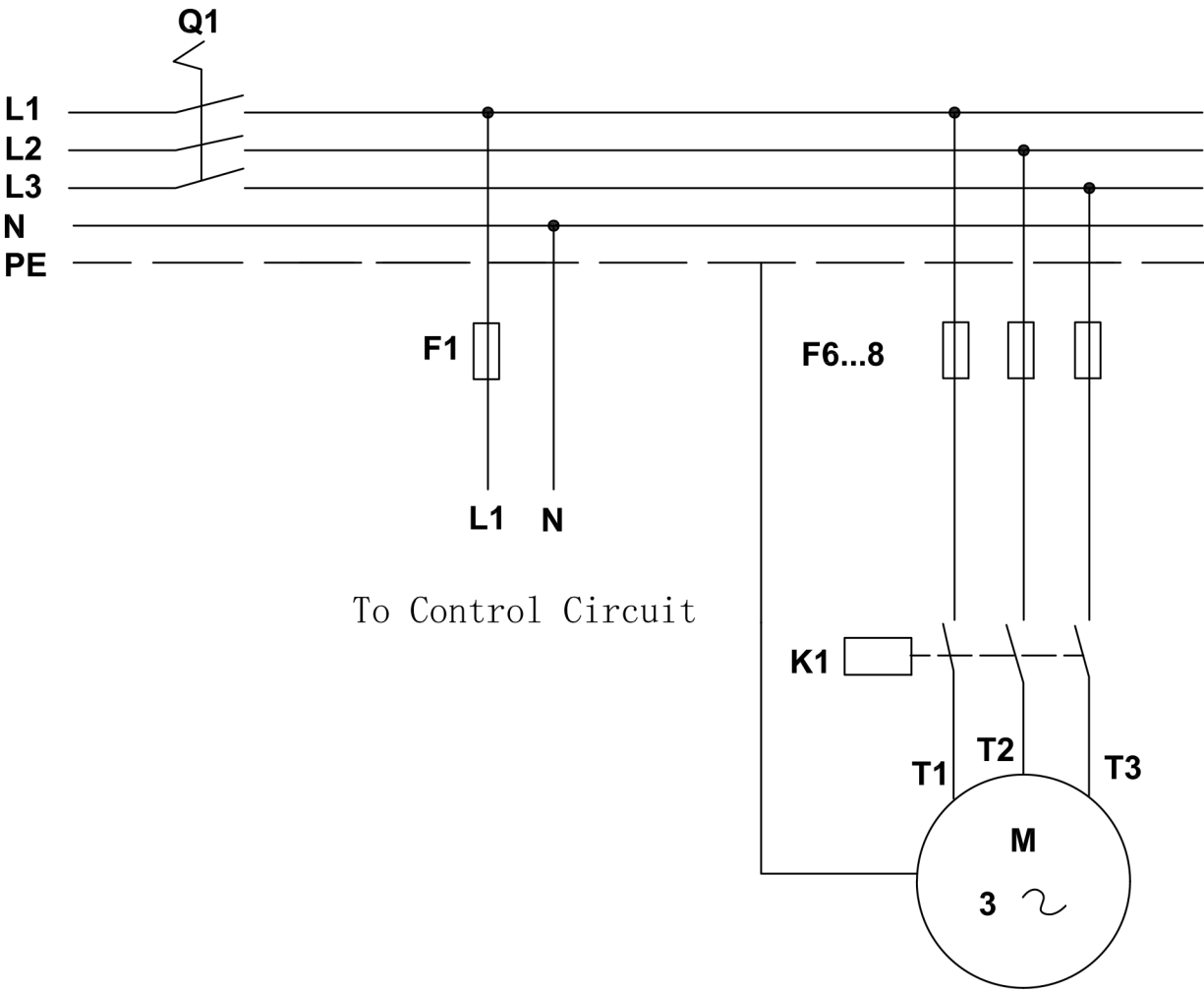
TERMINAL BOX LAYOUT
SCALE 1:3



DETAIL FOOT

- Notes:
- (1) All tolerances 1.5mm [0.06in] unless otherwise specified
 - (2) All fittings: + 3.0mm 0.12in
 - (3) Tube ends must be plugged
 - (4) All units are in mmlinch]

| | | | | | | | | | |
|------------|------|----|---|----|-------------|---|---------------|-------|----|
| | | | | | | 常州赛科为能源科技有限公司 Xecom Energy Technologies Ltd. | | | |
| 标记 | 处数 | 视图 | ECN代码 | 签字 | 日期 | | | | |
| 赛科为图纸通用标准 | | | | | | 绘图 | 版本标记 | 重量 | 比例 |
| ASME.Y14.5 | | | | | | 20°C测量 | 0 | 0,333 | |
| 第三视角 | 默认公差 | | X ±0.4 X.X ±0.15 X.XX ±0.15 数值: ±0.5 | 批准 | 共 1 张 第 1 张 | | 801-0003-00EN | | |



Electrical Schematics

L1/L2/L3/N/PE: 3 Phase Lines(line/neutral/ground)

- Q1: Manual Switch
- F1/F6...8: Fuse
- K1: Compressor Contactor
- M: Compressor Motor
- T1/T2/T3: Compressor Terminal

General System Schematic

