

Technical Data Sheet

Compressor model **GUY60NRc**
 Voltage **115-127V 60Hz ~1**
 Refrigerant **R134a**

APPLICATION

COMPRESSOR

MOTOR

Application	Low-Medium Back Pressure	Displacement	6,00 cm ³	Nominal Power	1/5 hp
Refrigerant	R134a	Diameter	22,00 mm	Voltage/Frequency	115-127V 60Hz
Evaporating Temp.	-35,0 °C to 0,0 °C	Stroke	16,00 mm	Voltage range	98-140 V
Expansion	Capillar/Valve	Net Weight	8,70 Kg	Type	CSIR
Comp. Cooling	Static	Oil type	ISO VG 10 ESTER	Phase number	1 PH
Max. ambient temp.	43,0 °C	Oil charge	200 cm ³	Locked Rotor Amps (LRA)	17,90 A
Compatible refriger.	R1234yf			Max. Cont. Current (MCC)	3,60 A
				Main W. resist. at 25°C	3,32 Ω
				Start W. resist. at 25°C	14,50 Ω

NOMINAL PERFORMANCE

APPROVALS

	ASHRAE	CECOMAF
Cooling Capacity	186 kCal/h	158 W
COP	1,49 W/W	1,15 W/W
EER	1,28 kCal/Wh	0,99 kCal/Wh
Input Power	145 W	138 W
Current	1,92 A	1,88 A



TEST CYCLE CONDITIONS

	ASHRAE LMBP (B)	CECOMAF LMBP (A)
Evaporating temp. (T _e)	-23,3 °C	-25,0 °C
Condensing temp. (T _c)	55,0 °C	55,0 °C
Liquid temp. (T _{liq.})	32,0 °C	55,0 °C
Ambient temp. (T _{amb.})	32,0 °C	32,0 °C
Suction temp. (T _{suction})	32,0 °C	32,0 °C
Voltage/Frequency	115 V 60 Hz	115 V 60 Hz

ELECTRICAL COMPONENTS

Starting capacitor	150 µF 160 V			
Relay	Option 1	Option 2		
Reference	2014 158.	QLZ-9.05A		
Pick-Up	9,05 A	9.05 A		
Drop-Out	7,70 A	7.70 A		
Protector	Option 1	Option 2		
Reference	T0267	B113-105		
Current	11,00 A	11,50 A		
Time check	7,5-14 seg	7,5-16 seg		
Disc temp. (Open/Close)	105,00 / 52,00 °C	110,00 / 52,00 °C		

ASHRAE

Tc °C	Te °C	Cooling Capacity kCal/h	Consumption W	Current A	COP W/W	EER kCal/Wh
40	-35	105	98	1,65	1,25	1,07
40	-30	142	111	1,73	1,49	1,28
40	-25	191	126	1,81	1,76	1,52
40	-23,3	210	131	1,84	1,86	1,60
40	-20	251	142	1,90	2,06	1,77
40	-15	323	159	2,01	2,36	2,03
40	-10	405	178	2,13	2,65	2,28
40	-5	500	198	2,26	2,94	2,53
40	0	605	219	2,41	3,21	2,76

45	-35	99	98	1,66	1,17	1,00
45	-30	135	113	1,74	1,39	1,19
45	-25	183	130	1,83	1,64	1,41
45	-23,3	202	136	1,87	1,73	1,49
45	-20	243	148	1,94	1,91	1,64
45	-15	313	167	2,06	2,18	1,88
45	-10	395	187	2,19	2,46	2,11
45	-5	489	209	2,34	2,72	2,34
45	0	593	232	2,50	2,97	2,56

50	-35	92	99	1,66	1,09	0,94
50	-30	128	116	1,75	1,29	1,11
50	-25	175	134	1,85	1,52	1,31
50	-23,3	194	140	1,89	1,61	1,38
50	-20	234	154	1,97	1,77	1,52
50	-15	304	174	2,10	2,03	1,74
50	-10	385	197	2,25	2,28	1,96
50	-5	478	220	2,42	2,52	2,17
50	0	582	245	2,60	2,76	2,37

55	-35	86	99	1,66	1,01	0,87
55	-30	121	118	1,76	1,20	1,03
55	-25	168	138	1,88	1,41	1,22
55	-23,3	186	145	1,92	1,49	1,28
55	-20	225	159	2,01	1,65	1,42
55	-15	295	182	2,15	1,88	1,62
55	-10	375	206	2,32	2,12	1,82
55	-5	467	231	2,50	2,35	2,02
55	0	570	258	2,70	2,57	2,21

60	-35	80	99	1,66	0,93	0,80
60	-30	114	120	1,77	1,11	0,95
60	-25	160	142	1,90	1,31	1,13
60	-23,3	178	150	1,95	1,38	1,19
60	-20	217	165	2,04	1,53	1,31
60	-15	285	190	2,20	1,75	1,50
60	-10	365	215	2,38	1,97	1,69
60	-5	456	243	2,58	2,19	1,88
60	0	558	271	2,80	2,40	2,06

65	-35	73	100	1,66	0,86	0,74
65	-30	107	122	1,79	1,02	0,88
65	-25	152	146	1,92	1,21	1,04
65	-23,3	170	154	1,98	1,28	1,10
65	-20	208	171	2,08	1,42	1,22
65	-15	276	197	2,25	1,63	1,40
65	-10	355	225	2,45	1,84	1,58
65	-5	445	254	2,67	2,04	1,75
65	0	547	284	2,91	2,24	1,92

CECOMAF

Tc °C	Te °C	Cooling Capacity W	Consumption W	Current A	COP W/W	EER kCal/Wh
40	-35	114	98	1,65	1,17	1,01
40	-30	160	111	1,73	1,44	1,24
40	-25	217	126	1,81	1,72	1,49
40	-23,3	238	131	1,84	1,82	1,57
40	-20	284	142	1,90	2,00	1,73
40	-15	362	159	2,01	2,27	1,96
40	-10	450	178	2,13	2,53	2,19
40	-5	549	198	2,26	2,77	2,40
40	0	658	219	2,41	3,01	2,60

45	-35	103	98	1,66	1,05	0,91
45	-30	145	113	1,74	1,28	1,10
45	-25	197	130	1,83	1,52	1,31
45	-23,3	218	136	1,87	1,60	1,38
45	-20	260	148	1,94	1,76	1,52
45	-15	334	167	2,06	2,00	1,73
45	-10	418	187	2,19	2,23	1,93
45	-5	512	209	2,34	2,45	2,12
45	0	617	232	2,50	2,66	2,30

50	-35	92	99	1,66	0,94	0,81
50	-30	130	116	1,75	1,12	0,97
50	-25	178	134	1,85	1,33	1,15
50	-23,3	197	140	1,89	1,40	1,21
50	-20	236	154	1,97	1,54	1,33
50	-15	306	174	2,10	1,75	1,51
50	-10	386	197	2,25	1,96	1,69
50	-5	476	220	2,42	2,16	1,87
50	0	577	245	2,60	2,35	2,03

55	-35	81	99	1,66	0,82	0,71
55	-30	115	118	1,76	0,97	0,84
55	-25	158	138	1,88	1,15	0,99
55	-23,3	176	145	1,92	1,21	1,05
55	-20	213	159	2,01	1,34	1,15
55	-15	278	182	2,15	1,53	1,32
55	-10	353	206	2,32	1,72	1,48
55	-5	439	231	2,50	1,90	1,64
55	0	536	258	2,70	2,08	1,80

60	-35	70	99	1,66	0,71	0,61
60	-30	99	120	1,77	0,83	0,72
60	-25	139	142	1,90	0,98	0,85
60	-23,3	155	150	1,95	1,03	0,89
60	-20	189	165	2,04	1,15	0,99
60	-15	250	190	2,20	1,32	1,14
60	-10	321	215	2,38	1,49	1,29
60	-5	403	243	2,58	1,66	1,44
60	0	496	271	2,80	1,83	1,58

65	-35	59	100	1,66	0,59	0,51
65	-30	84	122	1,79	0,69	0,59
65	-25	119	146	1,92	0,82	0,71
65	-23,3	134	154	1,98	0,87	0,75
65	-20	165	171	2,08	0,97	0,84
65	-15	222	197	2,25	1,13	0,97
65	-10	289	225	2,45	1,29	1,11
65	-5	367	254	2,67	1,45	1,25
65	0	455	284	2,91	1,60	1,38

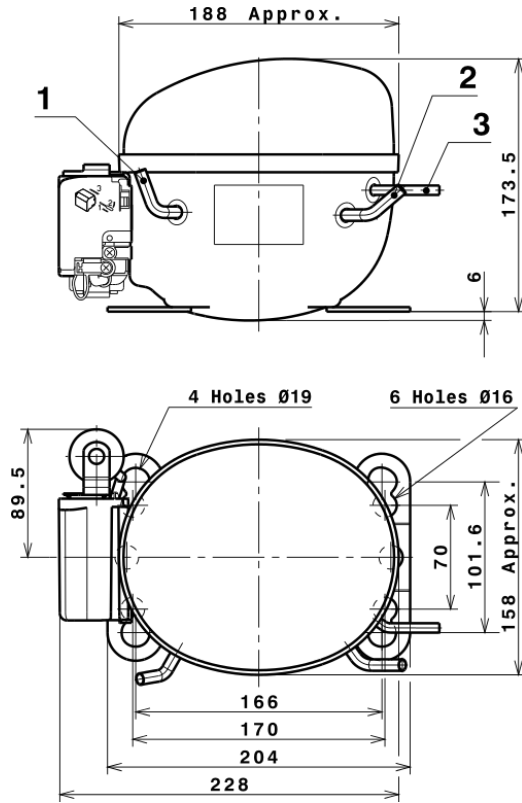
EN12900

X	Cooling Capacity (W)	Consumption (W)	Current (A)	Mass Flow (kg/h)
1	983,8237902742	117,9701725172	1,6401070247	16,852973774305
2	29,6162273952	1,5587666442	0,0116311895	0,57716777704357
3	-8,3784749922	2,6671517265	0,0202210920	-0,056398431099546
4	0,2071505701	0,0277305566	0,0003415280	0,0057087108442258
5	-0,1760694866	0,0742586153	0,0005674023	-0,00076362557892649

Equation	$x_1 + x_2Te + x_3Tc + x_4Te^2 + x_5TeTc$
----------	---

Technical Data Sheet

COMPRESSOR DIMENSIONS

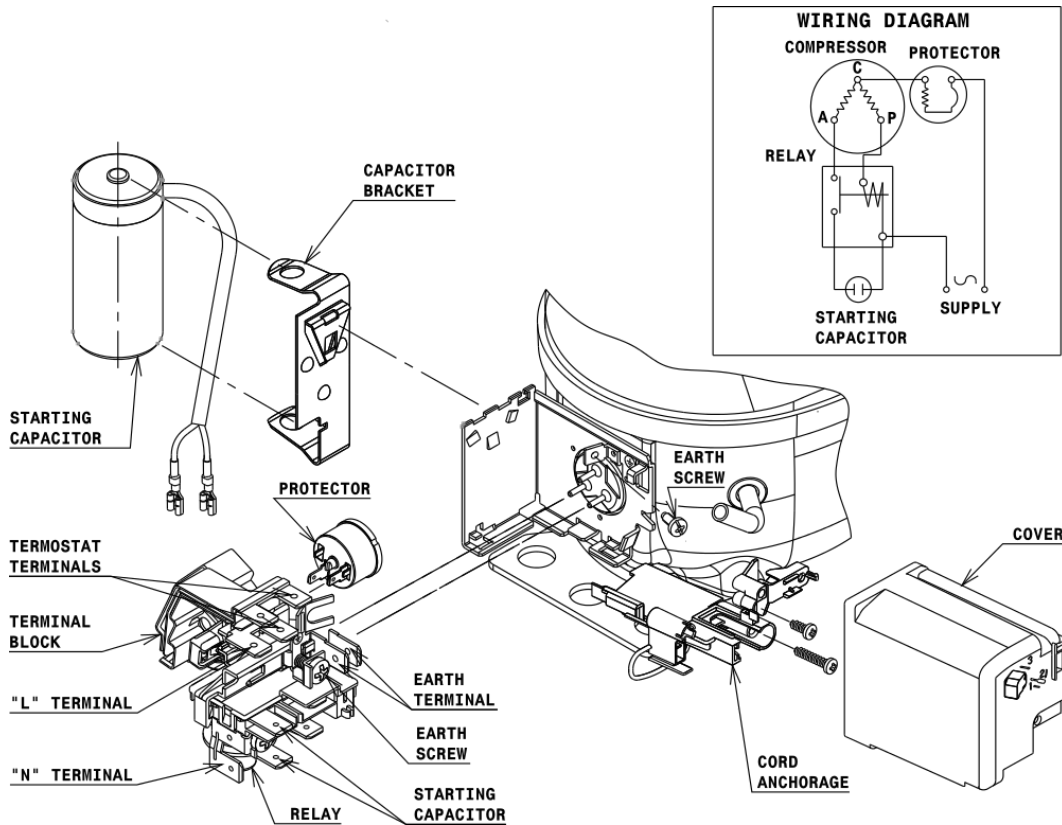


DESIGNATION INTERNAL DIAM.

DESIGNATION	INTERNAL DIAM.
1 Service	6,2 mm
2 Suction	6,2 mm
3 Discharge	4,9 mm

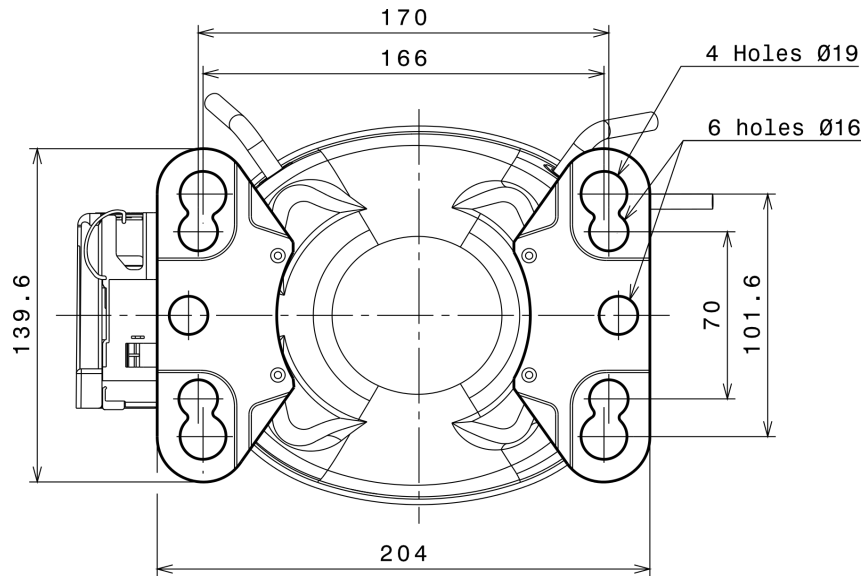
WIRING DIAGRAMS AND ELECTRICAL ASSEMBLY

CSIR CONNECTION (U range)



Technical Data Sheet

FIXINGS



SILENT BLOCKS (MOUNTING ACCESSORIES)

STANDARD

Ø16 holes (170x70 net)



AMERICAN FEET

Ø19 holes (166x101.6 net)



SNAP-ON

Ø16 holes (170x70 net)



SOA

SOA R134a LMBP

